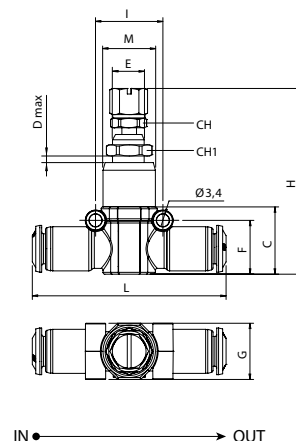
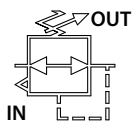


Energie besparende drukregelaar push-in / push-in

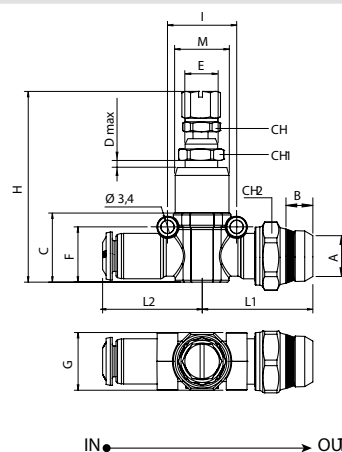
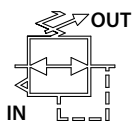
TUBE IN LINE PRESSURE REGULATOR



Code	Tube	C	D	E	F	G	H	I	L	M	CH	CH1	Pack.
AI-5597/6-6	6	18	5	M9x1	14.5	15	48÷56.5	18	52	14	9	11	10
AI-5597/8-8	8	20	5	M11x1	16.5	17	55÷65	20	58	17	10	13	10

Energie besparende drukregelaar buitendraad / push-in

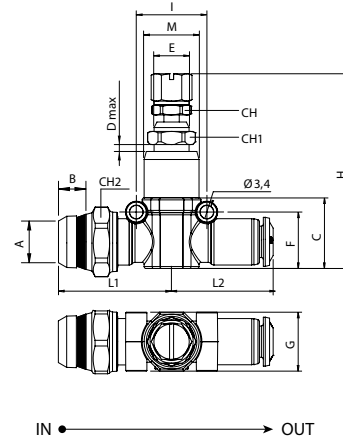
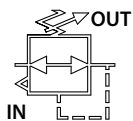
TUBE - MALE "UNIVERSAL SHORT" IN-LINE PRESSURE REGULATOR



Code	Tube	A	B	C	D	E	F	G	H	I	L1	L2	M	CH	CH1	CH2	Pack.
AI-5597/6-G01	6	1/8	5.5	20	5	M9x1	16.5	15	48÷56.5	18	29	26	14	9	11	16	10
AI-5597/6-G02	6	1/4	7	20	5	M9x1	16.5	15	48÷56.5	18	29	26	14	9	11	16	10
AI-5597/8-G02	8	1/4	7	23	5	M11x1	16.5	17	55÷65	20	33.5	29	17	10	13	20	10
AI-5597/8-G03	8	3/8	7.5	23	5	M11x1	16.5	17	55÷65	20	33.5	29	17	10	13	20	10

Energie besparende drukregelaar push-in / buitendraad

MALE "UNIVERSAL SHORT" - TUBE IN-LINE PRESSURE REGULATOR



Code	Tube	A	B	C	D	E	F	G	H	I	L1	L2	M	CH	CH1	CH2	Pack.
AI-5597/G01-6	6	1/8	5.5	20	5	M9x1	16.5	15	48÷56.5	18	28.5	26	14	9	11	16	10
AI-5597/G02-6	6	1/4	7	20	5	M9x1	16.5	15	48÷56.5	18	28.5	26	14	9	11	16	10
AI-5597/G02-8	8	1/4	7	23	5	M11x1	16.5	17	55÷65	20	33.5	29	17	10	13	20	10
AI-5597/G03-8	8	3/8	7.5	23	5	M11x1	16.5	17	55÷65	20	33.5	29	17	10	13	20	10