

# SIV600

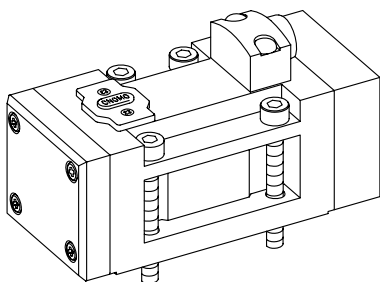
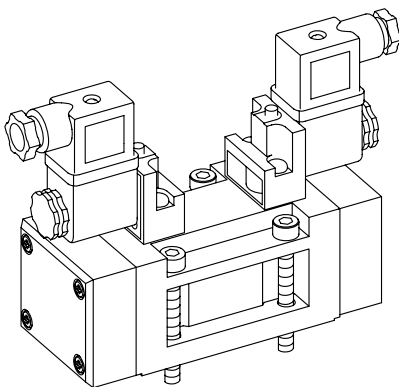
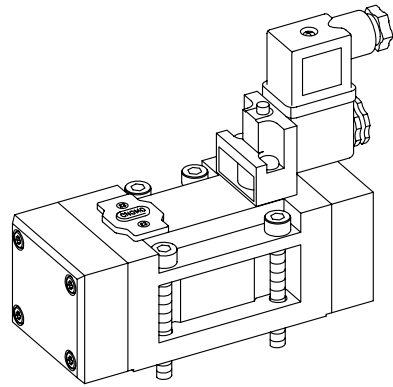
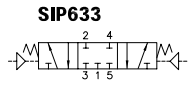
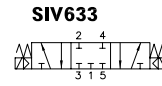
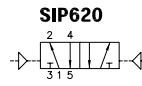
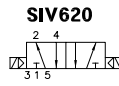
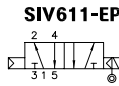
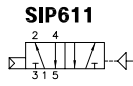
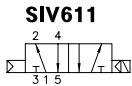
ISO-3  
Solenoid / Pneumatic Valves

- 5/2, 5/3
- 64mm Body Width
- 30mm CNOMO PILOT
- Sub-Base Mounting Type
- Transition Flow 5000ℓ/min [5bar]

ORDERING NO.

**SIV6 1 1 - I P - SC2 - CN2 - A2**

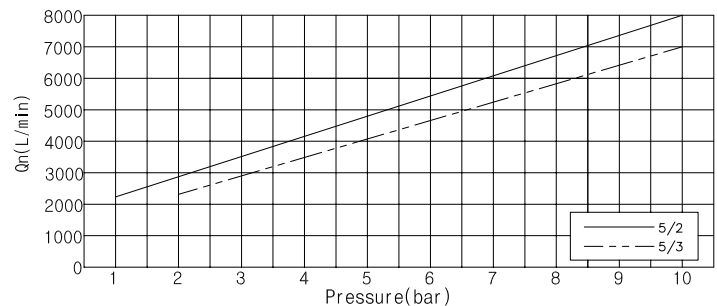
Valve Series	Function	Return Method	Int/Ext.Pilot	Manual Operator	Solenoid Coil Type	Connector Type	Voltage
<b>SIV6:</b> Solenoid valve	1 5/2 Single 2 5/2 Double 3 5/3 Closed Center 4 5/3 Open Center 5 5/3 Pressure Center	0 None 1 Air+Spring 2 Air 3 Spring	I Internal Pilot E External Pilot	0 None P Push Non-locking L Lever Locking	0 None SC2 3 Pin Connector Coil SG2 Grommet/Flying Leads SD2 Grommet/Flying Leads With LED	0 None CN2 Normal Connector CD2 Connector Wite LED CZ2 Connector Wite LED & Surge Suppressor	0 None A2 AC 220V A1 AC 110V A4 AC 24V D4 DC 24V D2 DC 12V
<b>SIP6:</b> Pneumatic							



## SPECIFICATION

ITEM	SERIES	SOLENOID, PNEUMATIC	
		FUNCTION	
		5 Port 2 Position	5 Port 3 Position
Fluids		Compressed Air & Inert Gases	
Pressure (bar)		1.5 ~ 10.0	2.0 ~ 10.0
Eff. Sectional Area(mm <sup>2</sup> ) - 5bar		75.0	60.0
Ambient & Fluid Temp		-5 ~ 60° C(41 ~ 140° F)	
Response Time (5bar)		30ms or Less	40ms or Less
Max. Working Frequency		3c/sec	1c/sec
Lubrication		Not Required(Use ISO V632#)	
Manual Override		Push Button(Standard), Lever Lock(OPTION)	
Coil Insulation Class		F-Class or Equivalent	
Permissible Voltage Variation		±10% of Rated Voltage	
Off Min. Residual Voltage		AC:20% or Less / DC:10% or Less	
Power Consumption		Holding-AC:5.5VA(60Hz) / DC:2.5W	

## Transition Capacity Graph

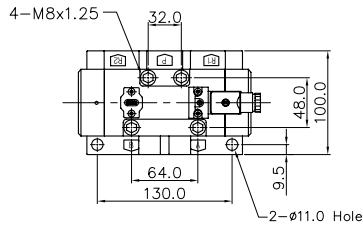
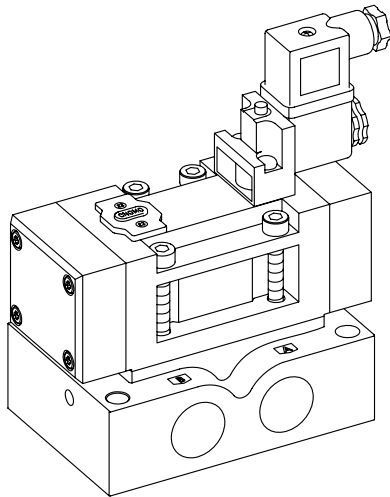


## The Material of Parts

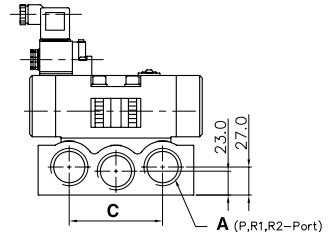
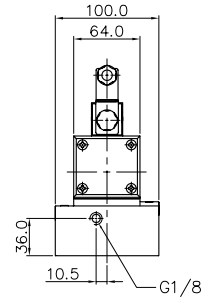
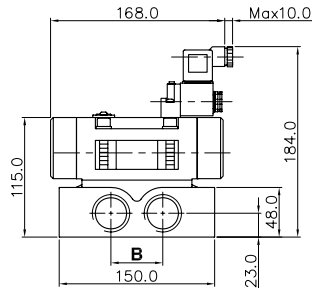
- Valve Body : Die-Cast Aluminium
- Spool : Aluminium
- Seals : NBR
- Cap : Zinc Pressure Die-Cast
- Pilot Parts : Glass Filled Nylon
- Spool : Aluminium
- Seals : NBR
- Cap : Zinc Pressure Die-Cast

※ The specification on each item can be amended without any prenotice to improve a performance.  
 ※ The specification on each item can be different from actual specification.

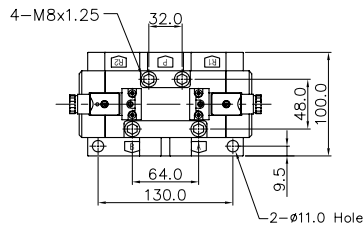
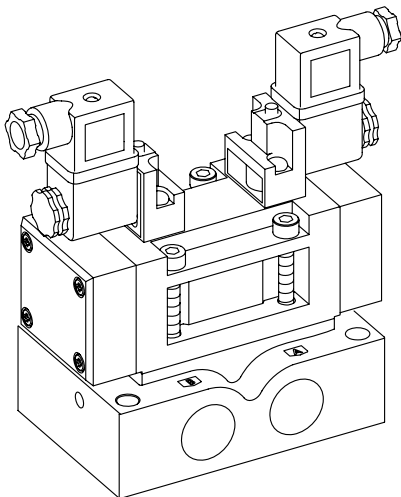
### 5Port 2Position Solenoid Valve



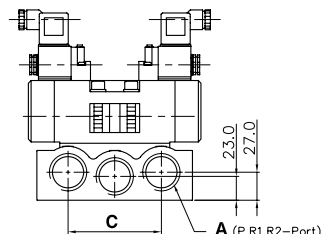
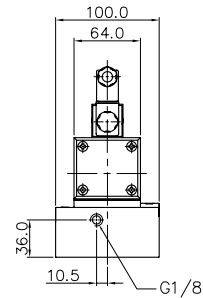
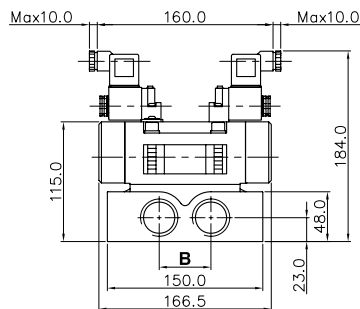
Thread	A	B	C
SIB64	G3/4	42.5	84.0
SIB65	G1	50.0	90.0



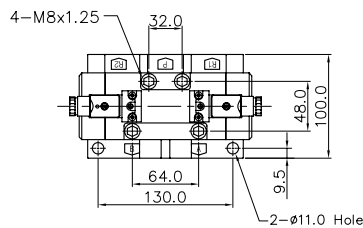
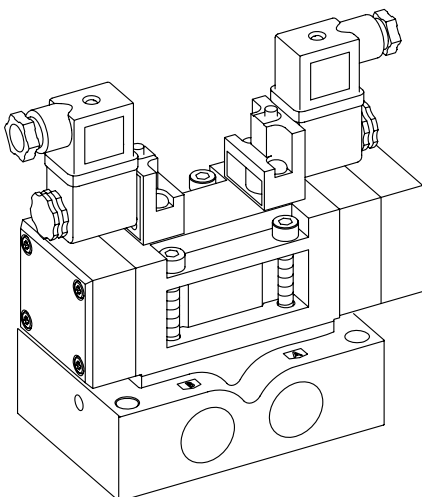
### 5Port 2Position Solenoid Valve



Thread	A	B	C
SIB64	G3/4	42.5	84.0
SIB65	G1	50.0	90.0



### 5Port 3Position Solenoid Valve



Thread	A	B	C
SIB64	G3/4	42.5	84.0
SIB65	G1	50.0	90.0

