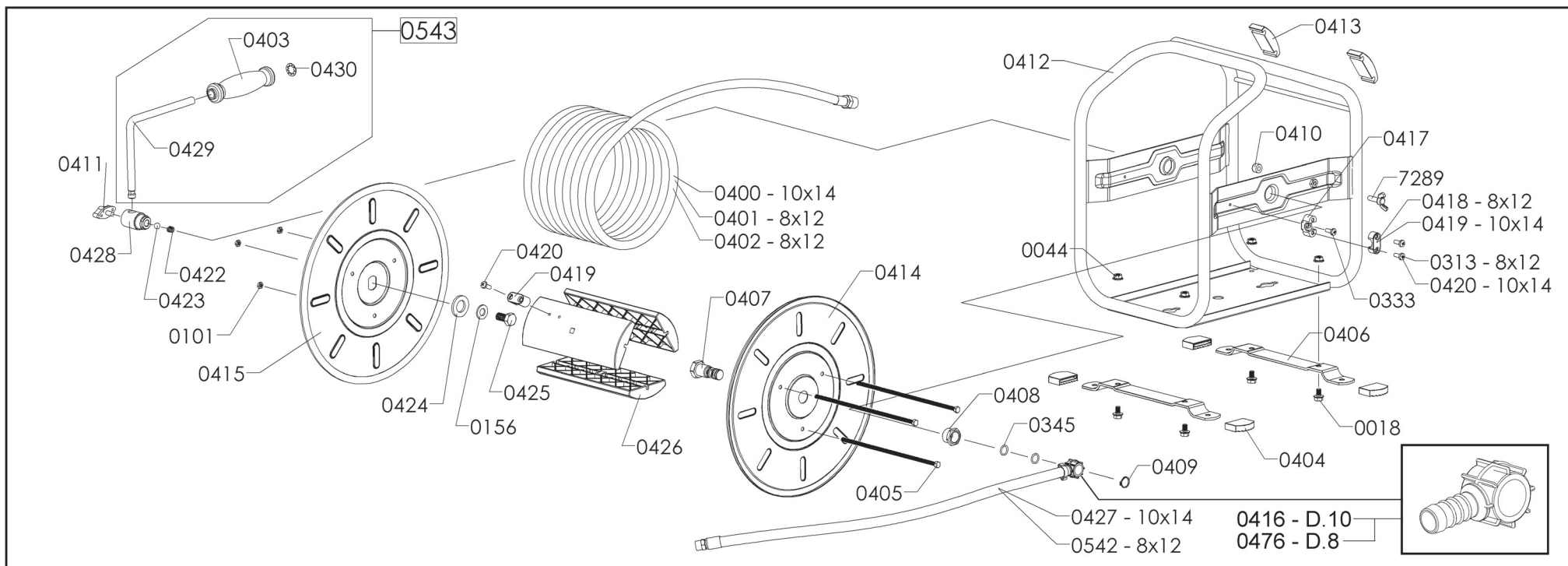


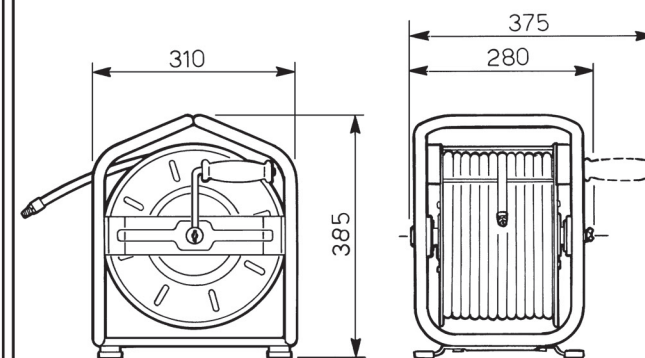
SPARE PARTS - MANUAL HOSE REELS FOR AIR



CODE DESCRIPTION

0016	NUT M 10	0406	STAND	0422	SPRING
0018	SCREW M 6x10	0407	BRASS SWIVEL SHAFT	0423	STEEL BALL
0044	NUT M 6	0408	1/4" G BRASS NUT	0424	WASHER 17x30
0101	NUT M 5	0409	SEEGER A14	0425	SCREW M 10x12
0155	SCREW M 10x16	0410	PLASTIC CAP	0426	SPACER FOR DRUM
0156	WASHER 10x20	0411	M 6x10 WINGED SCREW	0427	CONNETTING HOSE 10x14
0313	SCREW 5x16 HILO	0412	FRAME	0428	HANDLE PIVOT
0333	SCREW 4,2x10	0413	HOSE GUIDE	0429	HANDLE LEVER
0345	O-RING 11,1x1,78	0414	SWIVEL SIDE DRUM DISC	0430	SEEGER ZA10
0400	TPU HOSE 10x14 (25m)	0415	HANDLE SIDE DRUM DISC	0431	REVOLVING PLATE
0401	TPU HOSE 8x12 (30m)	0416	PLASTIC FITTING D.10	0432	WASHER D 10x30
0402	TPU HOSE 8x12 (40m)	0417	FIXED CLAMP FOR HOSE	0476	PLASTIC FITTING D.8
0403	HAND GRIP	0418	HOSE CLAMP	0542	CONNETTING HOSE 8x12
0404	RUBBER FOOT	0419	DRUM CLAMP FOR HOSE	0543	KIT HANDLE LEVER
0405	SCREW M 5x188	0420	SCREW 4,2x22	7289	WINGED SCREW M 6x20

DIMENSIONS



SICOMAT HOSE REELS



AVVOLGITUBO AUTOMATICI E MANUALI AUTOMATIC AND MANUAL HOSE REELS



Sicomat

Tel. : (+39) 0174.47.780 - Fax : (+39) 0174.47.975
Via Bologna, 10/D - 12084 Mondovì (CN) - ITALY

Mail : sicomat@sicomat.com - Web : www.sicomat.com - Skype : [sic.com](https://www.skype.com)