



< 1500 l/min  
(25 l/sec)



PUR, PVC  
or Rubber



-40°C - +70°C



< 18 m

## LARGE Open Reel

### Features & Benefits

Open reel design in all steel and stainless steel axle (AISI 304)  
- suitable for tough environments

Full-Flow Ultra-lightweight PU braided hose  
- for industrial environments

High-Grade, Heavy Duty rubber hose  
- for grinding or other spatter environments

Full-flow swivel / axle design with PU Ether gasket  
- Well suitable for tools up to 25 l/sec!

Up to 18 meters true rollable working length

### Optional Accessories

Flex-Assy lead hose up to 3 meters  
Heavy-Duty revolving hinge with 170° rotation  
High-flow Coupler / Plug  
Different thread fittings  
Revolving hinge  
- Easy to reach your application accurately

### Special versions on request

For areas with low temperatures down to -30°C  
- fitted with Ultrasoft Ether based PU braided hose

Other colors or qualities of hoses



Quick detachable and refittable main hose for easy maintainability

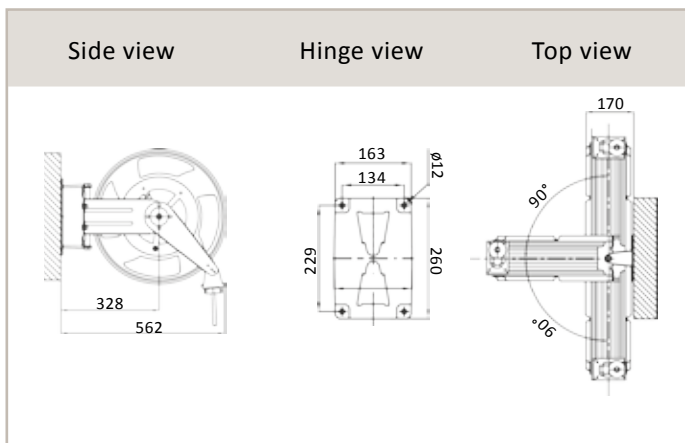


Brass Full-Flow swivel with Axle bearings and Stainless Steel shaft with Needle bearings

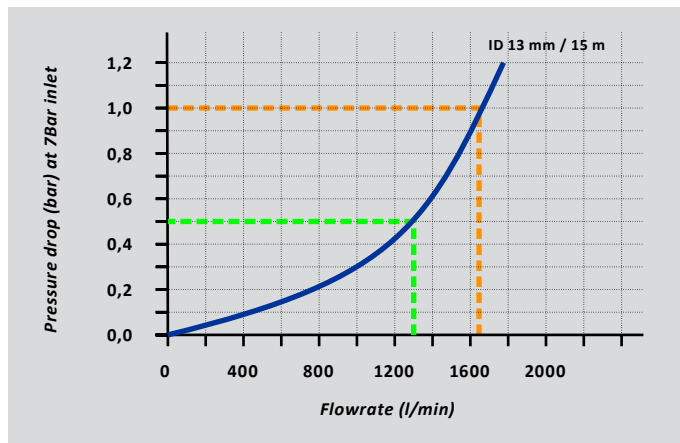


Optional heavy-duty revolving hinge Part no. 395.1065

Dimensions



Airflow chart



OPEN REEL SERIES 335.2 - Standard versions and technical data

	Hose Length	Hose $\phi$ mm	Lead Hose	Hose Material	Temperature & Pressure	Thread In/Out	Weight	Part Number
<b>Standard HQ PU</b>	15 m (49 ft)	13 x 18 mm (1/2")	(option)	Ester-PUR (100%)	- 20°C to +60°C 20 bar (290 psi)	3/8"-3/8" BSPT	12 kg (26.5 lbs)	335.1000
<b>Standard POLAR PU</b>	15 m (49 ft)	13 x 18 mm (1/2")	(option)	Ether-PUR (100%)	- 40°C to +70°C 20 bar (290 psi)	3/8"-3/8" BSPT	12 kg (26.5 lbs)	335.1200
<b>Standard HQ Rubber</b>	15 m (49 ft)	13 x 20 mm (1/2")	(option)	Rubtech (100%)	- 30°C to +70°C 20 bar (290 psi)	3/8" - 3/8" BSPT	13.9 kg (30.6 lbs)	335.1100
<b>Reel only</b>	Max 18 m (59 ft)	10/13 mm (3/8"-1/2")			- 30°C to +70°C 20 bar (290 psi)	In 3/8" BSPT	10.6 kg (23.4 lbs)	335.7000