



< 600 l/min
(10 l/ sec)



100% PUR
(soft Ester)



-20°C - +60°C



< 12 m



MEDIUM workplace reel

Features & Benefits

Casing made in schock proof PP/Polypropylene
- suitable for tough environments

Ultra-lightweight & soft PU braided hose
- Comfortable handling even at very low temperatures

8x12mm/10m or 9.5x13mm/9m true rollable working length
- Store the hose completely back to the reel

Full-flow axle design
- Well suitable for tools up to 10 l/sec!

Revolving hinge with 200° rotation
- Easy to reach your application accurately

Optional Accessories

High-flow Coupler / Plug
1/4" or 3/8" ball-bearing swivel fittings

Special versions on request

For areas with low temperatures down to -30°C
- fitted with Ultrasoft Ether based PU braided hose

Other colors of casing

Other colors or qualities of hoses



Large bore for best possible airflow



Kink protection with fixation to protect against jerky hose pull-out

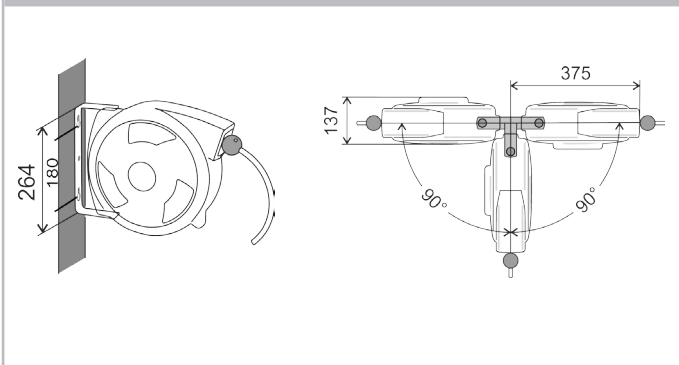


Flow optimized Lead-hose connection

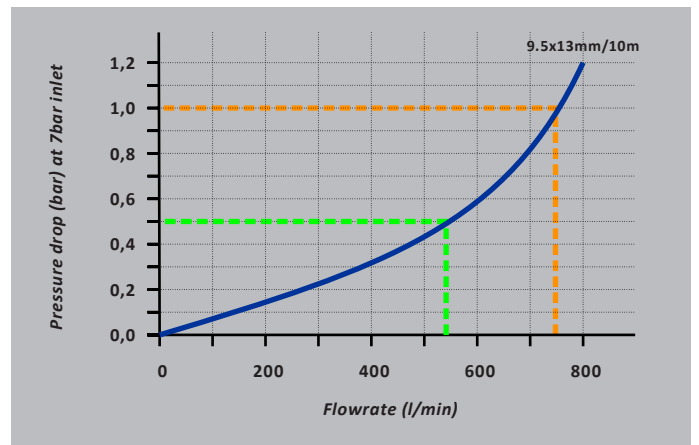
Dimensions

Angular view

Top view



Airflow chart



Installation tip for 315 Hose reel

Hose reel to be mounted on a wall, pillar or ceiling, minimum 2.5 m above the floor.
 Hose reel fitted with 2 pcs. screw on firm ground. See page 5.

COMPOUND REEL SERIES 315 - Versions and technical data

	Hose Length	Hose ø mm	Lead Hose	Hose Material	Temperature & Pressure	Thread In/Out	Weight	Part Number
Standard version	10 m (33 ft)	8 x 12 (5/16")	1.5 m (5 ft)	Ester-PUR (100%)	- 20°C to +60°C 12 bar (174 psi)	1/4" - 1/4" BSPT	4.5 kg (9,9 lbs)	315.1001
Standard Polar PU	10 m (33 ft)	8 x 12 (5/16")	1.5 m (5 ft)	Ether-PUR (100%)	- 30°C to +60°C 12 bar (174 psi)	1/4" - 1/4" BSPT	4.5 kg (9,9 lbs)	315.1009
High-Flow version	9 m (30 ft)	9.5x13 mm (3/8")	1.5 m (5 ft)	Ester-PUR (100%)	- 20°C to +60°C 12 bar (174 psi)	1/4" - 1/4" BSPT	4.5 kg (9,9 lbs)	315.1101
Long Reach version	15 m (49 ft)	6.5x10 mm (1/4")	1.5 m (5 ft)	Ester-PUR (100%)	- 20°C to +60°C bar (174 psi)	1/4" - 1/4" BSPT	4.5 kg (9,9 lbs)	315.1200

NOTE!
New lenght

