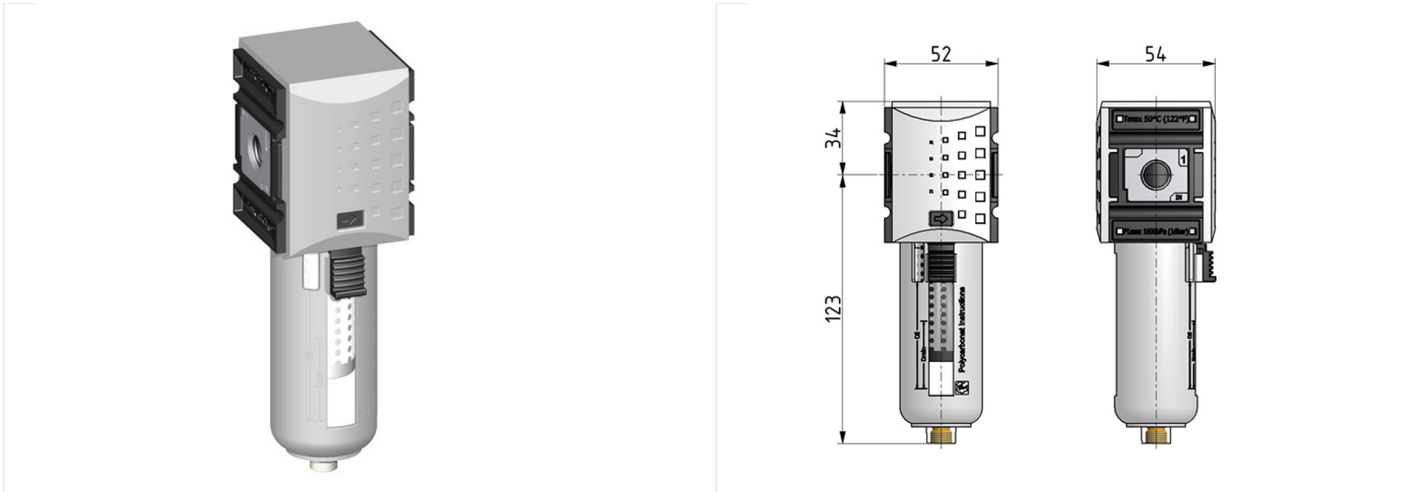


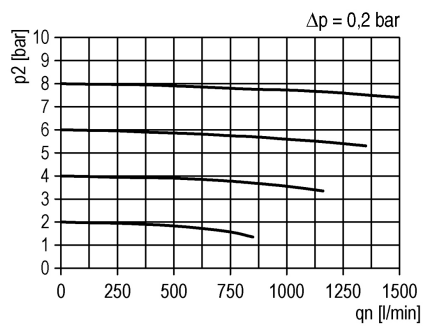
Filter of the Futura series

Activated carbon filter G3/8 with PC bowl and bowl guard

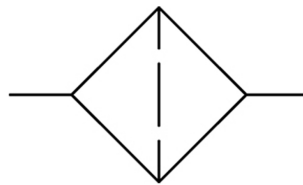


type	part-number	series	port size	flow rate	weight
KAFI-138	91331.DD00	Futura	G 3/8	470 l/min	0.246 kg

flow characteristic



symbol



technical data

- **description:** active carbon filter
- **medium:** compressed air, neutral gases
- **supply pressure P1 min.:** 0 bar
- **supply pressure P1 max.:** 16 bar
- **temperature range:** -10°C - +50°C
- **bowl:** PC with PA bowl guard
- **mounting:** vertical

accessories



- mounting bracket:
[KBW 1-1225](#)



- coupling kit wall mounting:
[KKOP 1W](#)