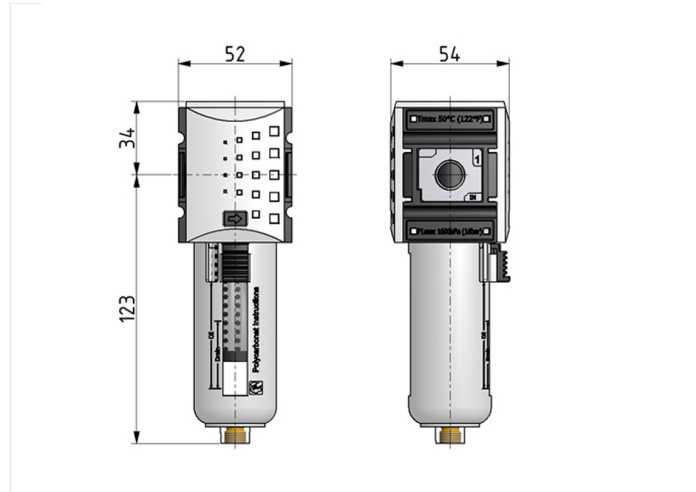


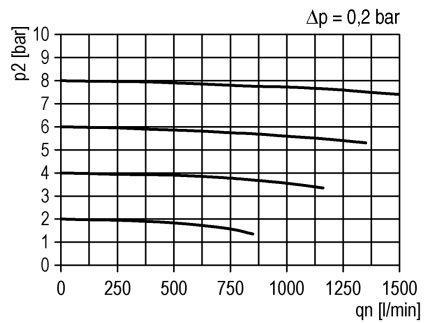
Filter of the Futura series

Activated carbon filter G1/4 with PC bowl and bowl guard

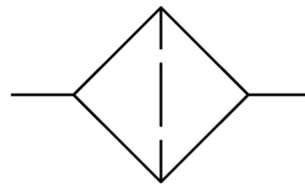


type	part-number	series	port size	flow rate	weight
KAFI-114	91331.CC00	Futura	G 1/4	470 l/min	0.259 kg

flow characteristic



symbol



technical data

- **description:** active carbon filter
- **medium:** compressed air, neutral gases
- **supply pressure P1 min.:** 0 bar
- **supply pressure P1 max.:** 16 bar
- **temperature range:** -10°C - +50°C
- **bowl:** PC with PA bowl guard
- **mounting:** vertical

accessories



- mounting bracket:
[KBW 1-1225](#)



- coupling kit wall mounting:
[KKOP 1W](#)