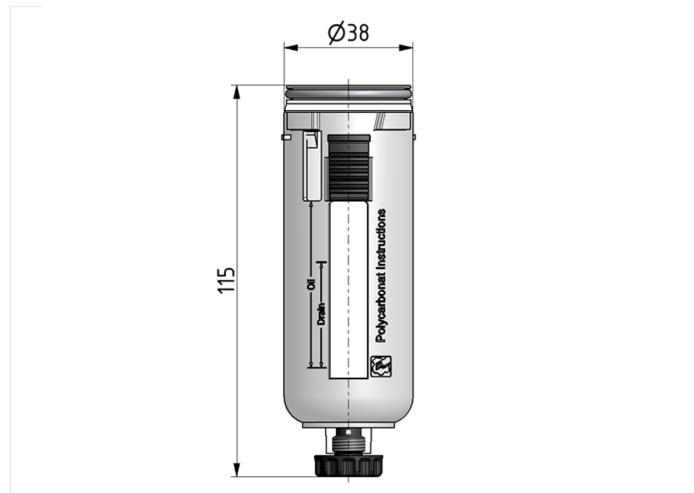


Accessories of the Futura series

PC bowl with bowl guard, semi automatic drain and o-ring 32x2,5



type	part-number	series 1	series	weight
BE.1 HA4	90001.0200	Futura	BG1	0.090 kg

technical data

- supply pressure P1 min.: 1,5 bar
- supply pressure P1 max.: 16 bar
- temperature range: -10°C - +50°C
- bowl: PC with PA bowl guard
- drain: HA
- fixing: bayonet catch

accessories