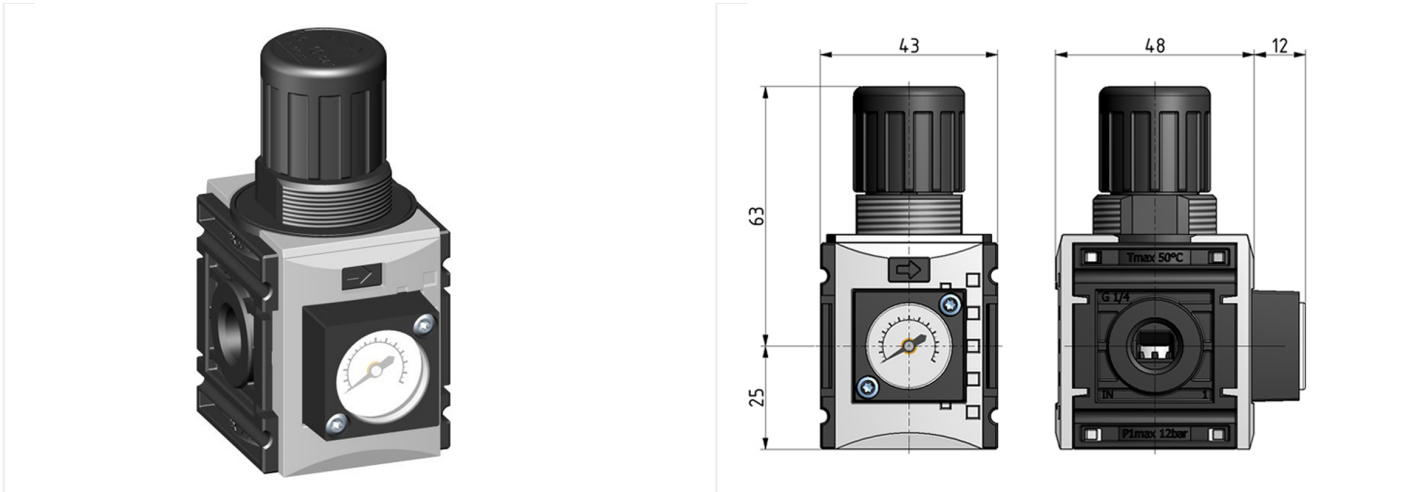
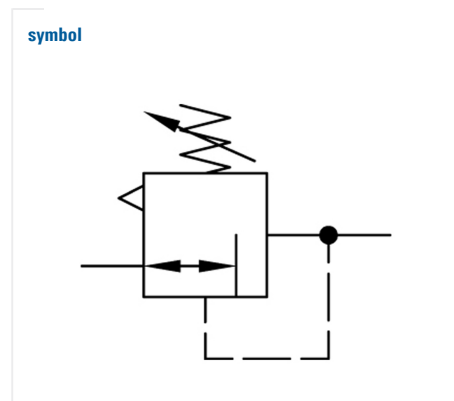
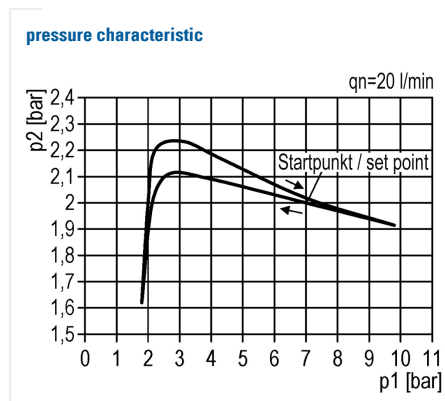
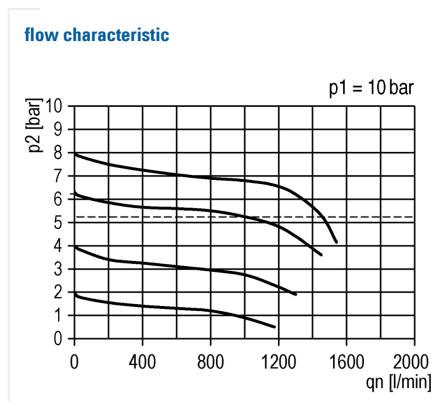


Pressure-regulator of the Futura series

Pressure regulator G1/4 0,5-8 with integrated gauge



type	part-number	series	port size	flow rate	adjustment range P2 max.	weight
KREG-014/8 G	91700.CC00	Futura	G 1/4	1000 l/min	8 bar	0.165 kg



technical data

- **description:** air line regulator with diaphragm and relieving feature
- **medium:** compressed air, neutral gases
- **supply pressure P1 max.:** 12 bar
- **temperature range:** -10°C - +50°C

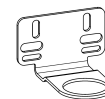
accessories



- mounting bracket:
[KBW.0-1225](#)



- coupling kit wall mounting:
[KKOP.QW](#)



- control panel mounting:
[KBW.0-1227](#) + C.00-34

- adapter for pressure gauge:
KKPS.0-54