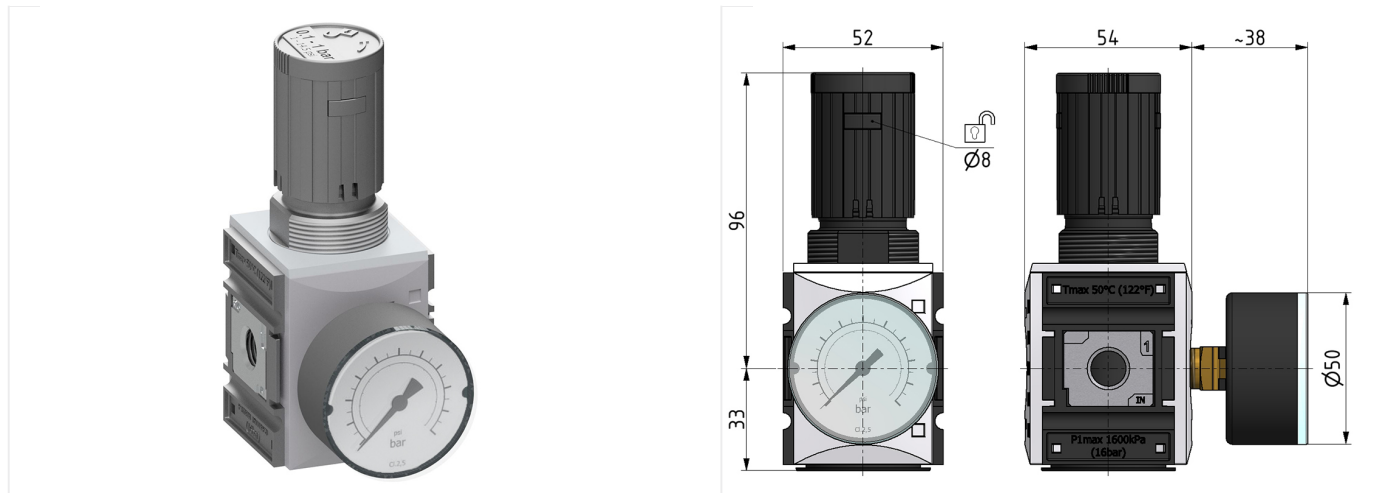


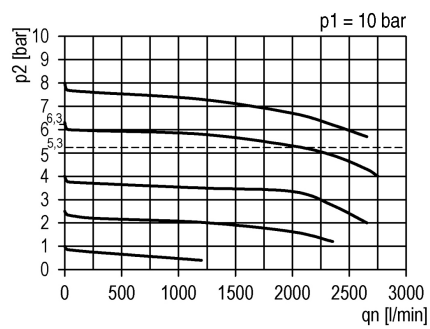
Pressure-regulator of the Futura series

Pressure regulator G1/4 0,5-8 with gauge G 50.10 R

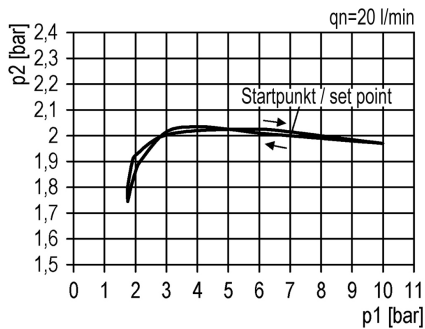


type	part-number	series	port size	flow rate	adjustment range P2 max.	weight
KREG-114/8 G	91701.CC10	Futura	G 1/4	2000 l/min	8 bar	0.368 kg

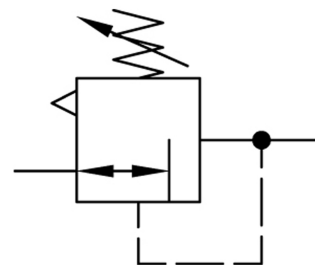
flow characteristic



pressure characteristic



symbol



technical data

- **description:** air line regulator with diaphragm and relieving feature
- **medium:** compressed air, neutral gases
- **supply pressure P1 max.:** 16 bar
- **temperature range:** -10°C - +50°C
- **locking:** rotary lock or padlock possible

accessories



- mounting bracket:
[KBW.1-1225](#)



- coupling kit wall mounting:
[KKOP.1W](#)



- control panel mounting:
[KBW.1-1227](#) + SM.1

- rotary lock: VH.31 without key or VH.32 with key