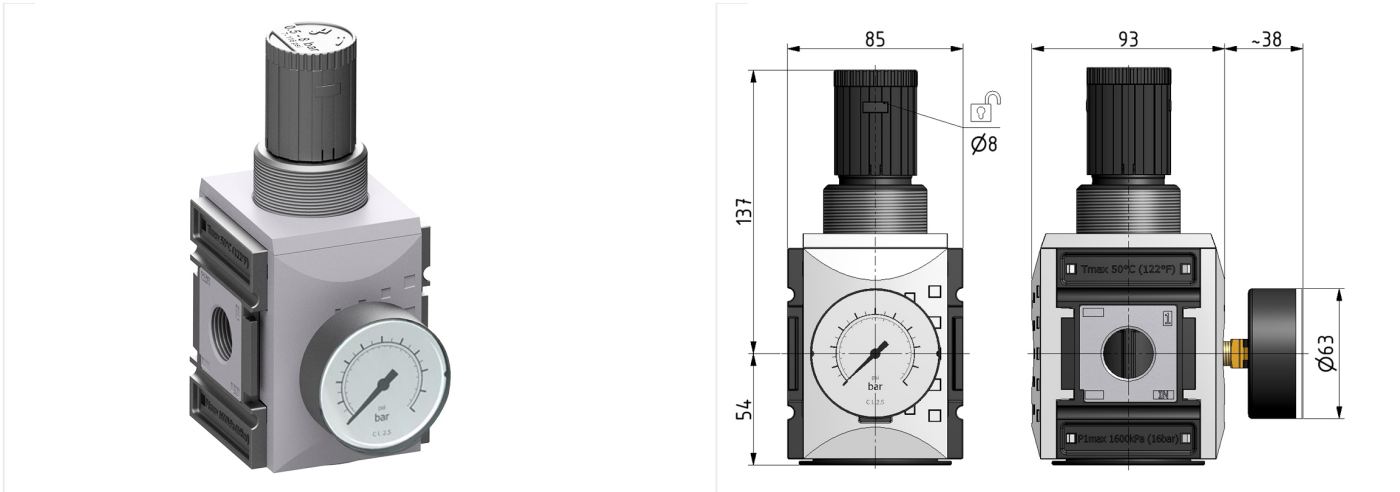
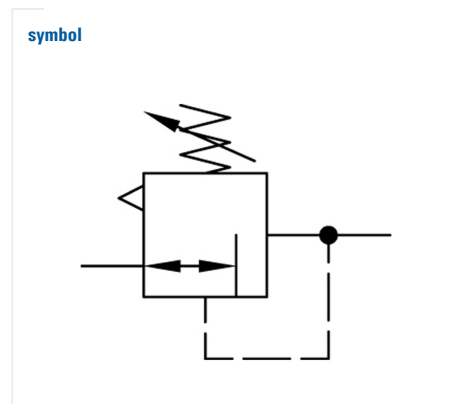
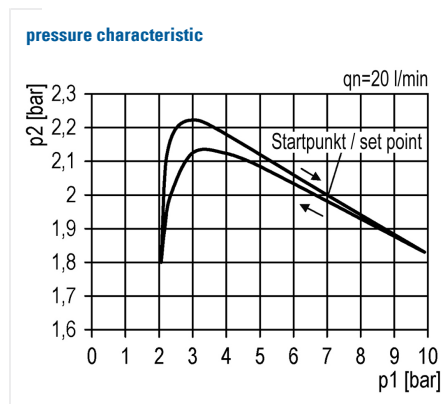
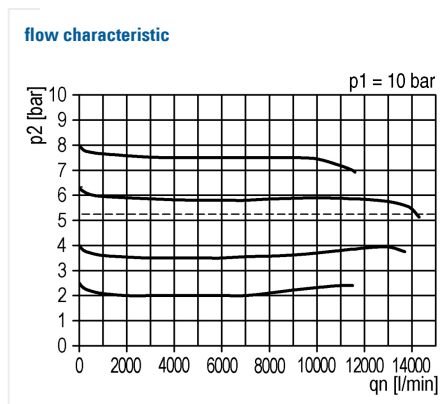


Pressure-regulator of the Futura series

Pressure regulator G1 0,5-8 with gauge G 63.10 R



type	part-number	series	port size	flow rate	adjustment range P2 max.	weight
KREG-41/8 G	91704.GG10	Futura	G 1	14200 l/min	8 bar	1.038 kg



technical data

- **description:** air line regulator with diaphragm and relieving feature
- **medium:** compressed air, neutral gases
- **supply pressure P1 max.:** 16 bar
- **temperature range:** -10°C - +50°C
- **locking:** rotary lock or padlock possible
- **air consumption:** max. 1,5 l/min

accessories



- mounting bracket:
[KBW 4-1225](#)



- coupling kit wall mounting:
[KKOP 4W](#)

- control panel mounting:
control panel nut C.33-42

- rotary lock: VH.31 without
key or VH.32 with key