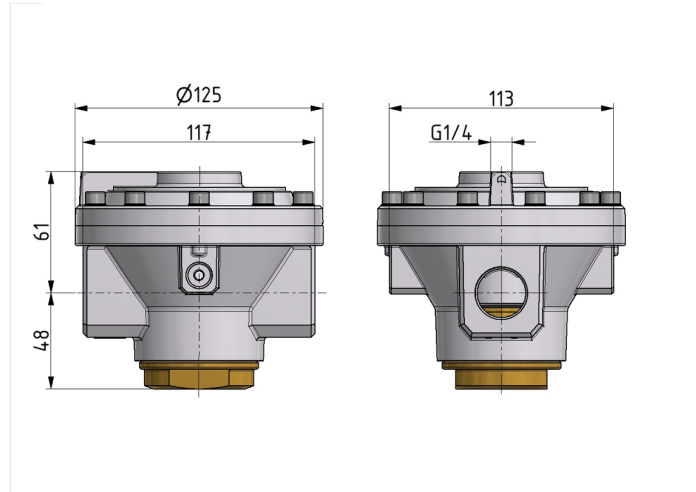
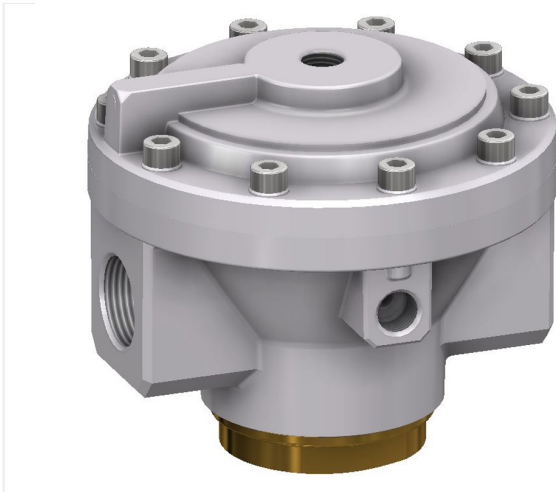




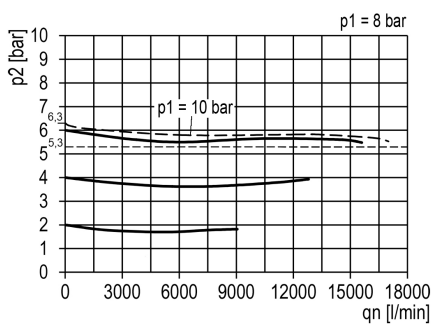
Pressure-regulator of the Standard series

Pressure regulator G1 pneumatic pilot operated (G1/4), new edition

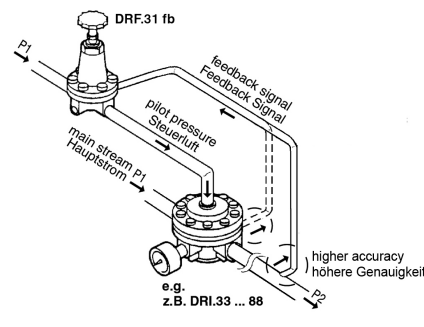


| type | part-number | series | port size | flow rate | adjustment range P2 max. | weight |
|----------|---------------|----------|-----------|-------------|--------------------------|----------|
| DRI.55 N | 9.1555.00.110 | Standard | G 1 | 15000 l/min | 20 bar | 2.109 kg |

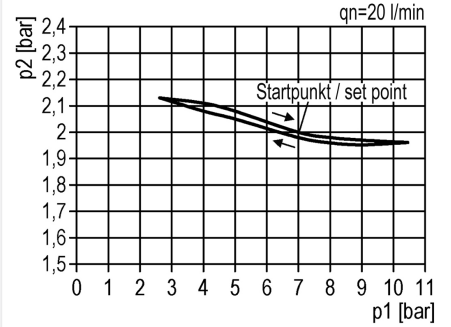
flow characteristic



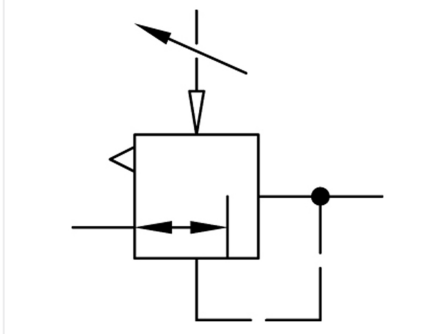
operating conditions



pressure characteristic



symbol





technical data

- **description:** air line regulator with diaphragm and relieving feature, pneumatic pilot-operated (1:1)
- **medium:** compressed air, neutral gases
- **supply pressure P1 max.:** 40 bar
- **temperature range:** -10°C - +80°C

accessories