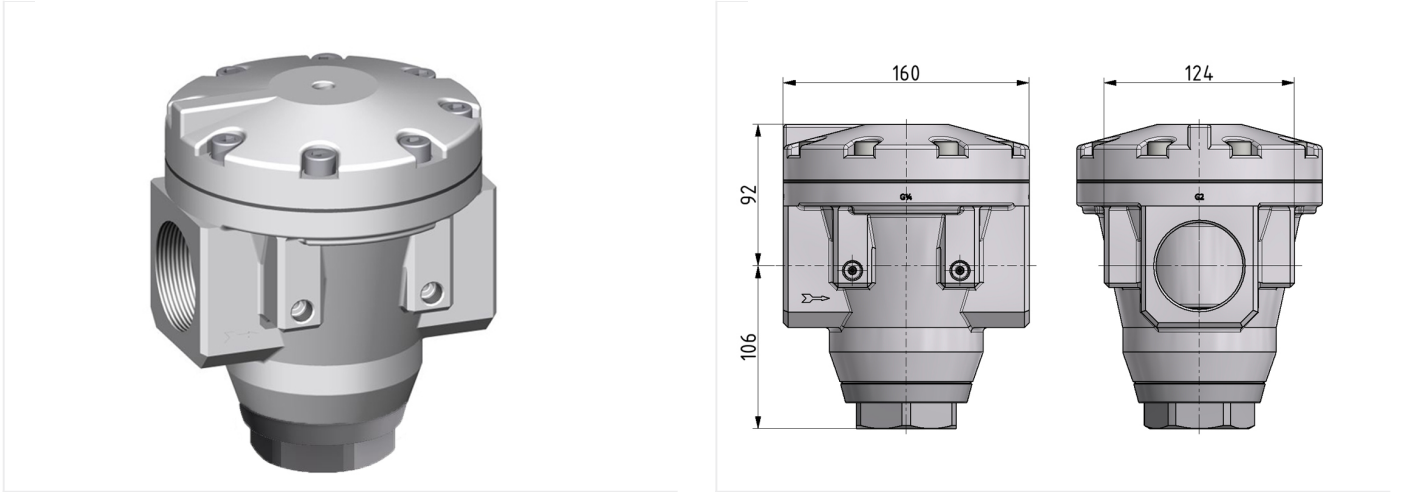


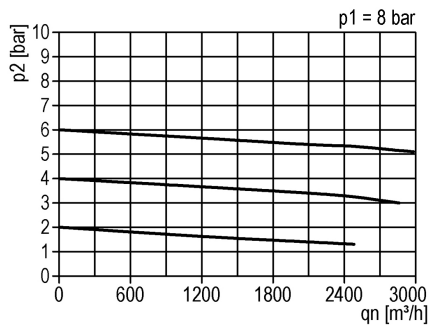
## Pressure-regulator of the Standard series

Pressure regulator G1 1/2 pneumatic pilot operated (G1/4)

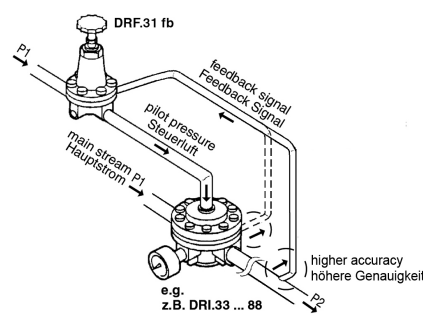


type	part-number	series	port size	flow rate	adjustment range P2 max.	weight
DRI.87	9.1587.00.100.0V	Standard	G 1 1/2	50000 l/min	16 bar	5.529 kg

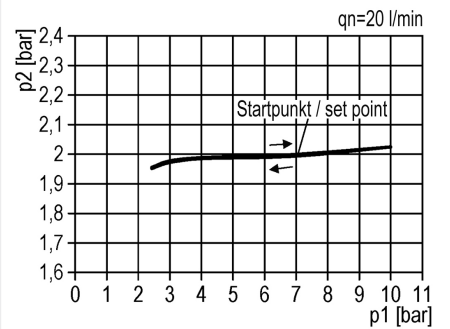
### flow characteristic



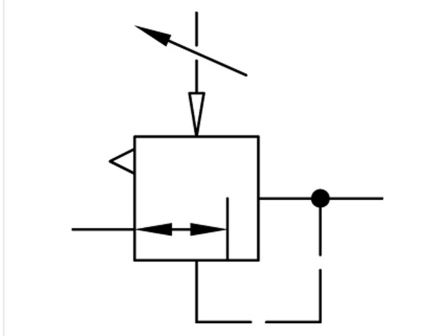
### operating conditions



### pressure characteristic



### symbol



**technical data**

- **description:** air line regulator with diaphragm and relieving feature, pneumatic pilot-operated (1:1)
- **medium:** compressed air, neutral gases
- **supply pressure P1 max.:** 25 bar
- **temperature range:** -10°C - +80°C

**accessories**