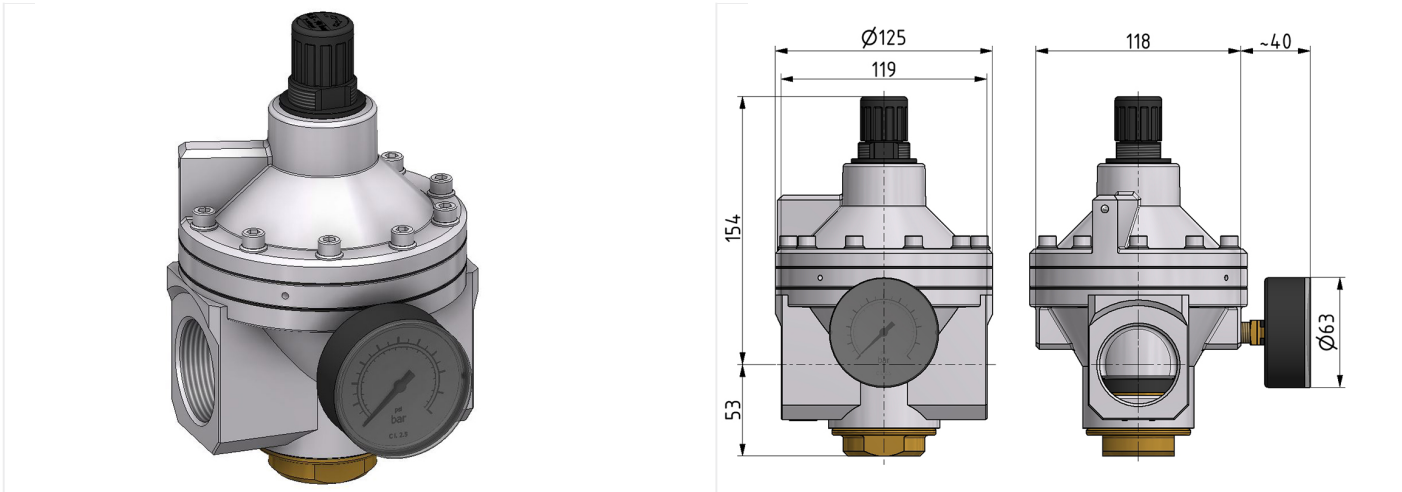


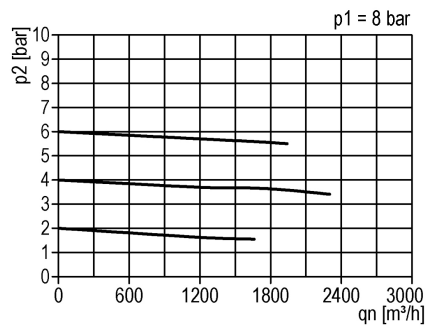
## Pressure-regulator of the Standard series

Pressure regulator G1 1/2 0,5-10 pilot control with gauge G 63.16 R

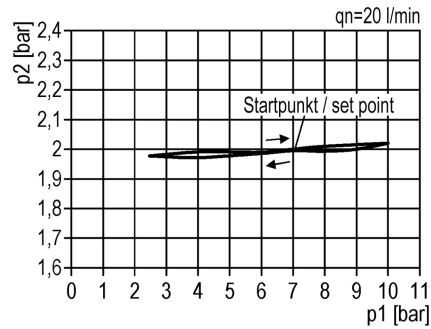


type	part-number	series	port size	flow rate	adjustment range P2 max.	weight
DRP.77 G	9.1577.00.202.0	Standard	G 1 1/2	31500 l/min	10 bar	3.106 kg

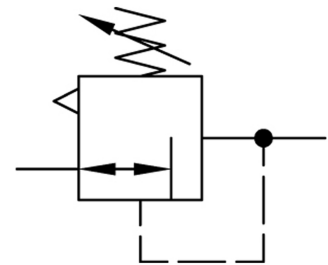
flow characteristic



pressure characteristic



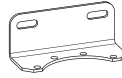
symbol



#### technical data

- **description:** air line regulator with diaphragm and relieving feature, pilot operated
- **medium:** compressed air, neutral gases
- **supply pressure P1 max.:** 25 bar
- **temperature range:** -10°C - +60°C

#### accessories



- mounting bracket: [BW.50](#)
- lockable setting knob possible