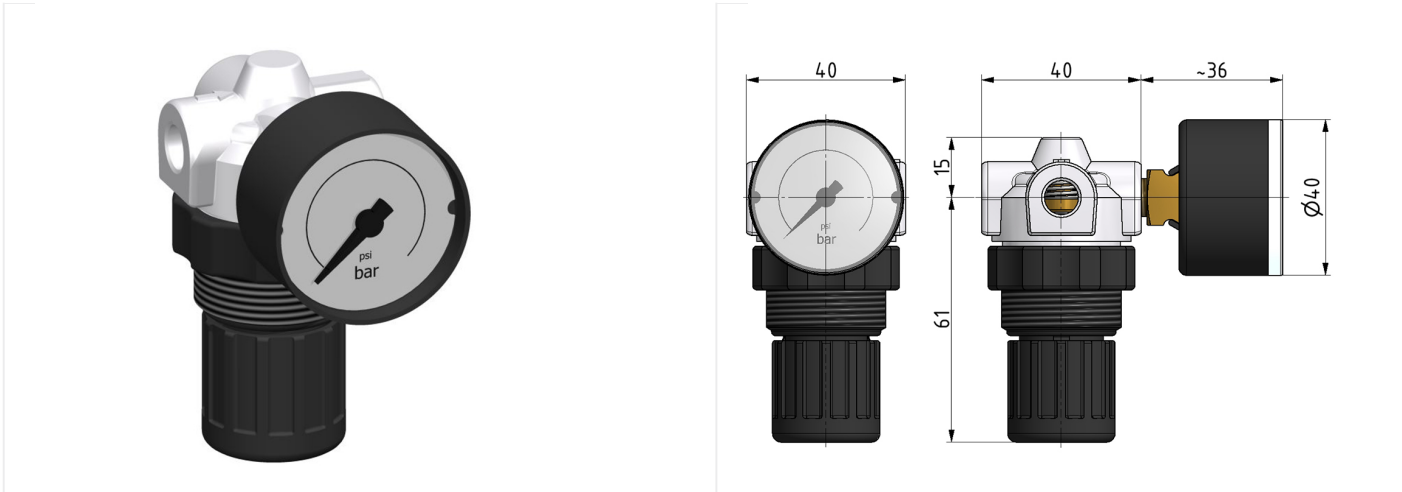


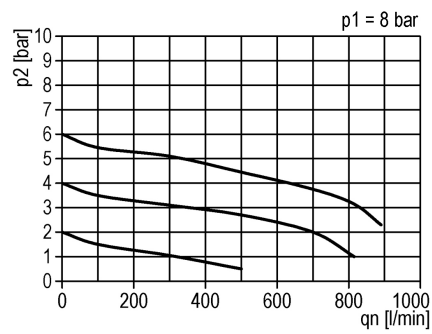
## Pressure-regulator of the Standard series

Pressure regulator G1/4 0,5-10 with gauge G 40.16 R

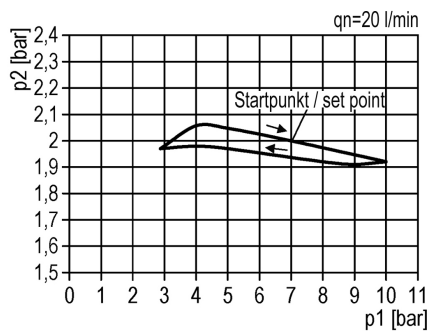


type	part-number	series	port size	flow rate	adjustment range P2 max.	weight
DR.01 G	9.1501.00.002.0V	Standard	G 1/4	330 l/min	10 bar	0.275 kg

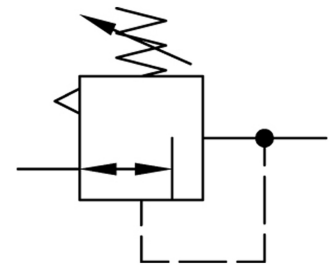
flow characteristic



pressure characteristic



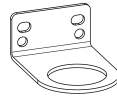
symbol



#### technical data

- **description:** air line regulator with diaphragm and relieving feature
- **medium:** compressed air, neutral gases
- **supply pressure P1 max.:** 16 bar
- **temperature range:** -10°C - +60°C

#### accessories



- control panel mounting:  
[WH.M.30/DR.00-34](#)