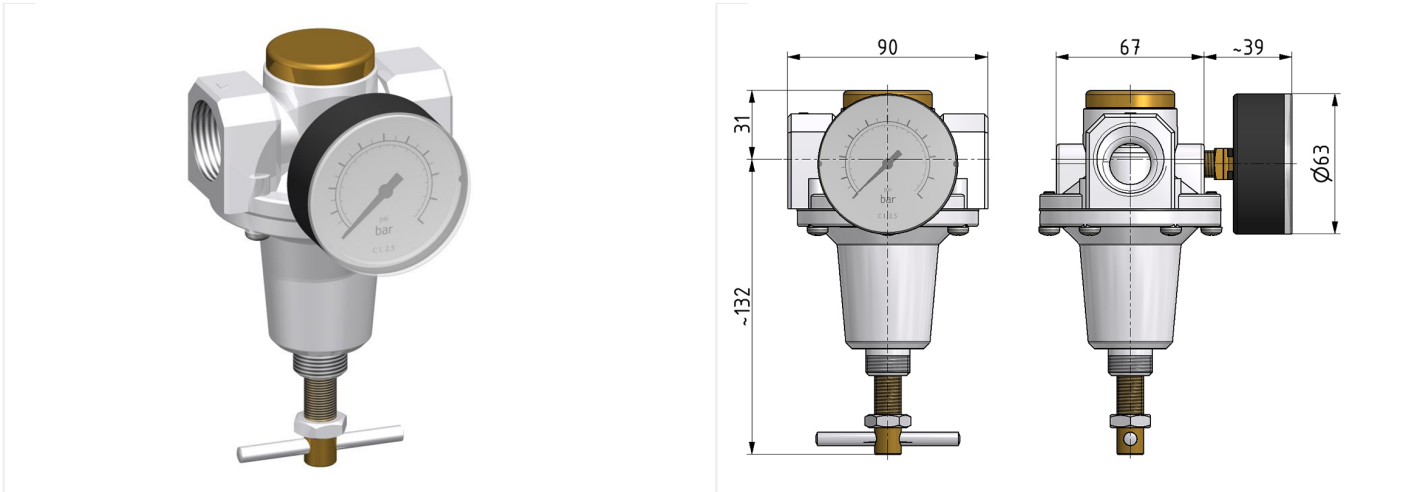


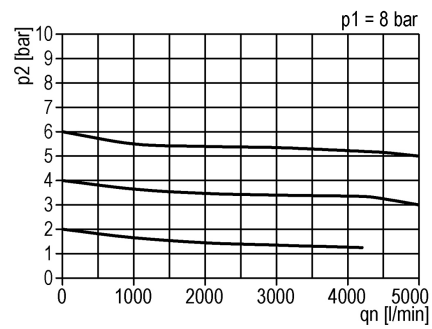
## Pressure-regulator of the Standard series

Pressure regulator G3/4 0,5-10 with P1 max.=40bar and gauge G 63.16 R

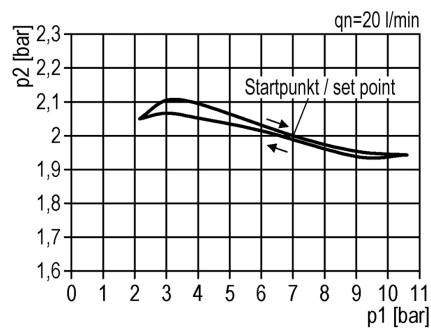


type	part-number	series	port size	flow rate	adjustment range P2 max.	weight
DR.34 G	9.1634.00.002.0V	Standard	G 3/4	5000 l/min	10 bar	1.364 kg

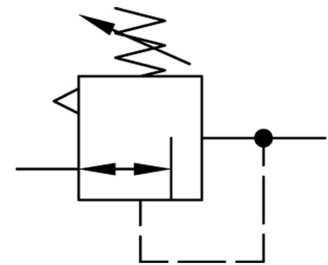
flow characteristic



pressure characteristic



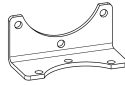
symbol



#### technical data

- **description:** air line regulator with diaphragm and relieving feature
- **medium:** compressed air, neutral gases
- **supply pressure P1 max.:** 40 bar
- **temperature range:** -10°C - +60°C

#### accessories



- mounting bracket: [BW.30](#)
- control panel mounting: nut DR.11-7