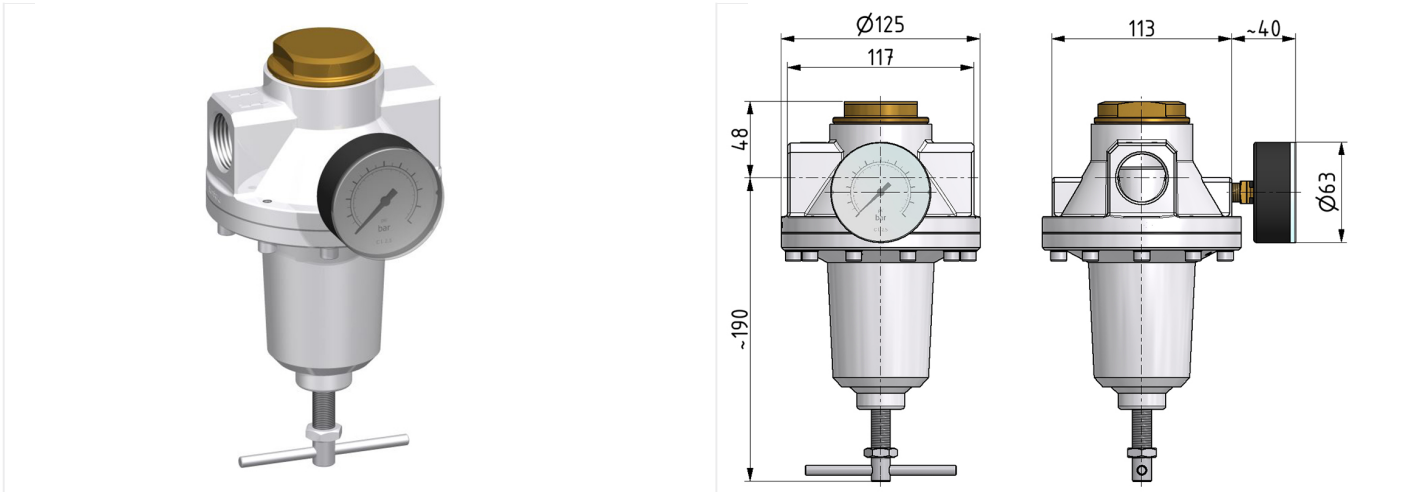


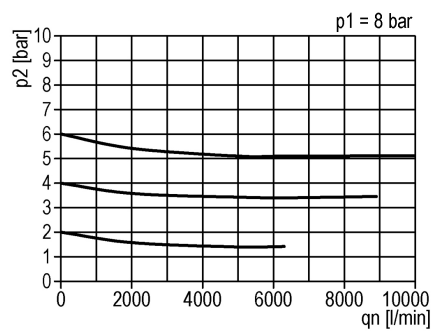
## Pressure-regulator of the Standard series

Pressure regulator G3/4 0,5-10 with gauge G 63.16 R

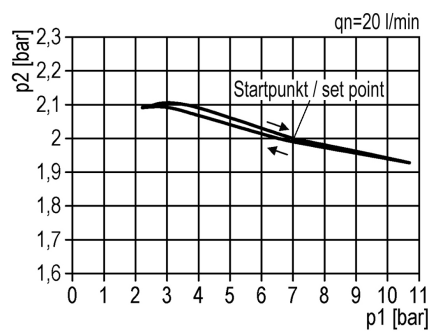


type	part-number	series	port size	flow rate	adjustment range P2 max.	weight
DR.54 G	9.1554.00.002.0	Standard	G 3/4	11000 l/min	10 bar	2.172 kg

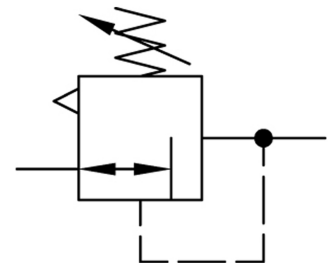
flow characteristic



pressure characteristic



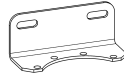
symbol



#### technical data

- **description:** air line regulator with diaphragm and relieving feature
- **medium:** compressed air, neutral gases
- **supply pressure P1 max.:** 25 bar
- **temperature range:** -10°C - +60°C

#### accessories



- mounting bracket: [BW.50](#)