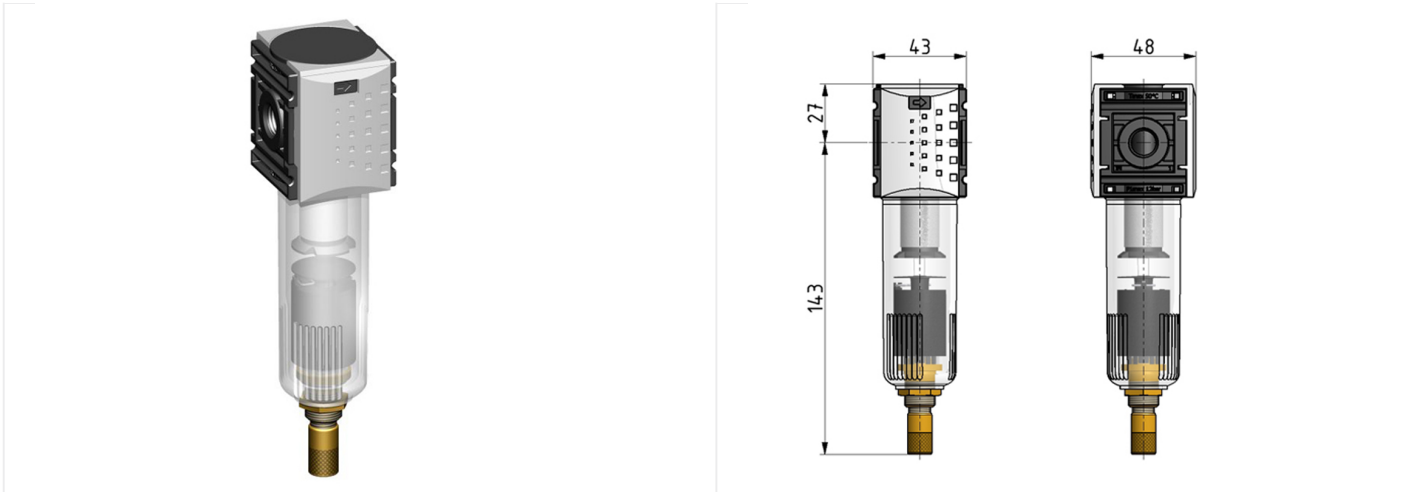


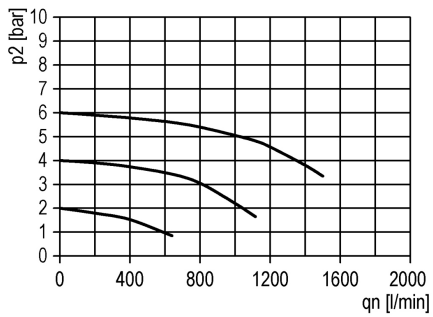
## Filter of the Futura series

Filter G1/4 5µm with PC bowl and automatic drain

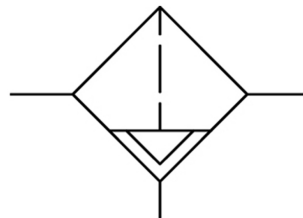


type	part-number	series	port size	flow rate	weight
KFIL-014 AM	91300.CC01	Futura	G 1/4	1000 l/min	0.168 kg

### flow characteristic



### symbol



#### technical data

- **description:** sinter filter centrifugal principle
- **medium:** compressed air, neutral gases
- **supply pressure P1 min.:** 1,5 bar
- **supply pressure P1 max.:** 12 bar
- **temperature range:** -10°C - +50°C
- **owl:** PC
- **drain:** AM NO
- **mounting:** vertical
- **filter element:** 5 µm

#### accessories



- mounting bracket:  
[KBW.0-1225](#)



- coupling kit wall mounting:  
[KKOP.0W](#)