

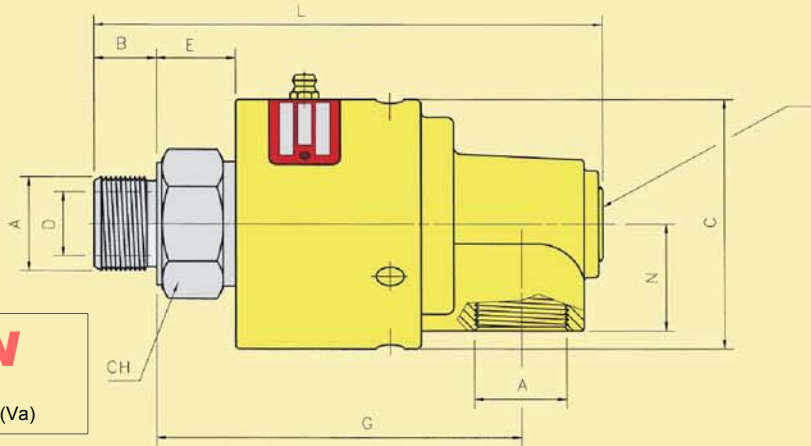
# GR

**GIUNTI ROTANTI PER ACQUA, ARIA, OLIO, VUOTO**  
**ROTATING JOINTS FOR WATER, AIR, OIL, VACUUM**  
**DREHDURCHFÜHRUNGEN FÜR WASSER, LUFT, ÖL, VAKUUM**  
**RACCORDS TOURNANTS POUR EAU, AIR, HUILE, VIDE**  
**JUNTAS ROTATIVAS PARA AGUA, AIRE, ACEITE, VACIO**

## 1/4" ÷ 1"

GIUNTI ROTANTI AD UNA VIA  
 ONE WAY ROTATING JOINTS  
 EINWEG DREHDURCHFÜHRUNGEN

RACCORDS TOURNANTS SIMPLE PASSAGE  
 JUNTA ROTATIVA SIMPLE PASO



Filettature Threads	Gewinde Filetages Rosca
GR 8	1/4 BSP
GR 10	1/4 BSP
GR 15	3/8 BSP
GR 20	1/2 BSP
GR 25	3/4 BSP

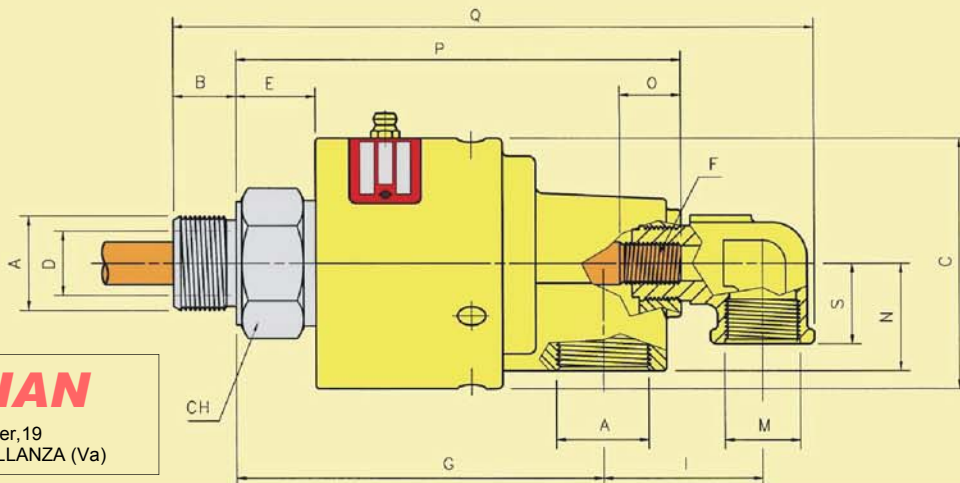
### TURIAN

Via Jucker, 19  
 I-21053 CASTELLANZA (Va)

### GR ..

GIUNTI ROTANTI A DUE VIE - SIFONE FISSO  
 TWO WAYS ROTATING JOINTS - FIXED SIPHON  
 ZWEIWEG DREHDURCHFÜHRUNGEN  
 FÜR STEHENDES SIPHONROHR

RACCORDS TOURNANTS DOUBLE PASSAGE  
 POUR TUBE SIPHON FIXE  
 JUNTA ROTATIVA DOBLE PASO  
 CON SIFON ROSCADO



### TURIAN

Via Jucker, 19  
 I-21053 CASTELLANZA (Va)

### GR .. F

TIPO TYPE MODELL	A BSP	B	C	D	E	F BSP	G	I ±1	L	M BSP	N	O	P	Q ±1	S	CH	PESO WEIGHT KG
GR 8	1/4	10	47	7.5	13	-	66.5	-	93	-	20	-	-	-	-	24	0.58
GR 10	3/8	12	47	9	13	-	66.5	-	96	-	20	-	-	-	-	24	0.58
GR 10 F	3/8	12	47	9	13	M6x1	66.5	33	-	1/4	20	12	84	124	20	24	0.70
GR 15	1/2	15	60	13	18	-	89	-	123	-	26	-	-	-	-	32	1.17
GR 15 F	1/2	15	60	13	18	1/8	89	35	-	3/8	26	18	108	150	20	32	1.28
GR 20	3/4	15	70	18	21	-	100	-	137	-	30	-	-	-	-	36	1.70
GR 20 F	3/4	15	70	18	21	1/4	100	39	-	3/8	30	18	124	163	20	36	1.80
GR 25	1"	20	84	24	21.5	-	109	-	161	-	36	-	-	-	-	41	2.50
GR 25 F	1"	20	84	24	21.5	3/8	109	55	-	1/2	36	20	142	198	23	41	2.60