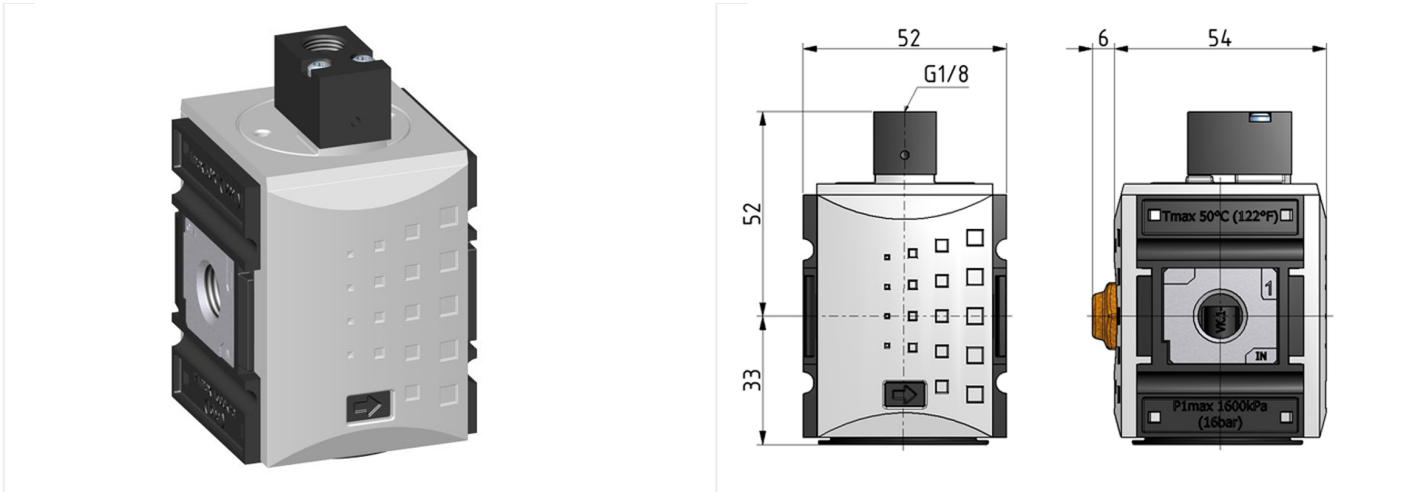


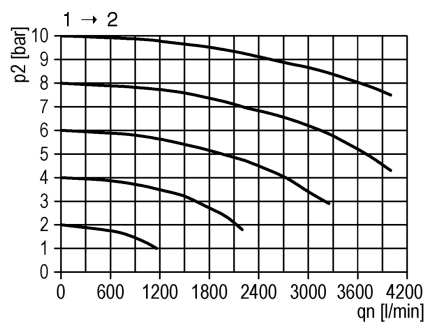
## System extensions of the Futura series

3/2 Directional control valve G1/4 pneumatic operated

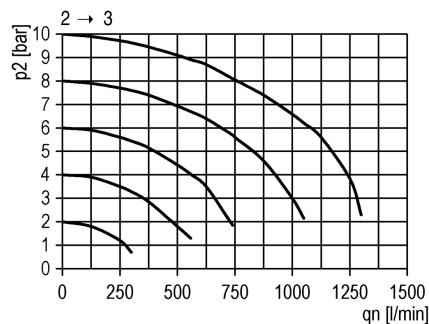


type	part-number	series	port size	flow rate	weight
KSOV-114 I	94011.CC10	Futura	G 1/4	2000 l/min	0.252 kg

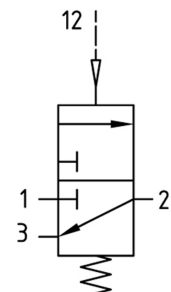
flow characteristic



rear exhaust



symbol



#### technical data

- **description:** 3/2 poppet valve
- **medium:** compressed air, neutral gases
- **supply pressure P1 max.:** 16 bar
- **temperature range:** -10°C - +50°C
- **input signal:** pneumatic
- **exhaust:** G 1/4

#### accessories



- mounting bracket:  
[KBW 1-1225](#)



- coupling kit wall mounting:  
[KKOP 1W](#)