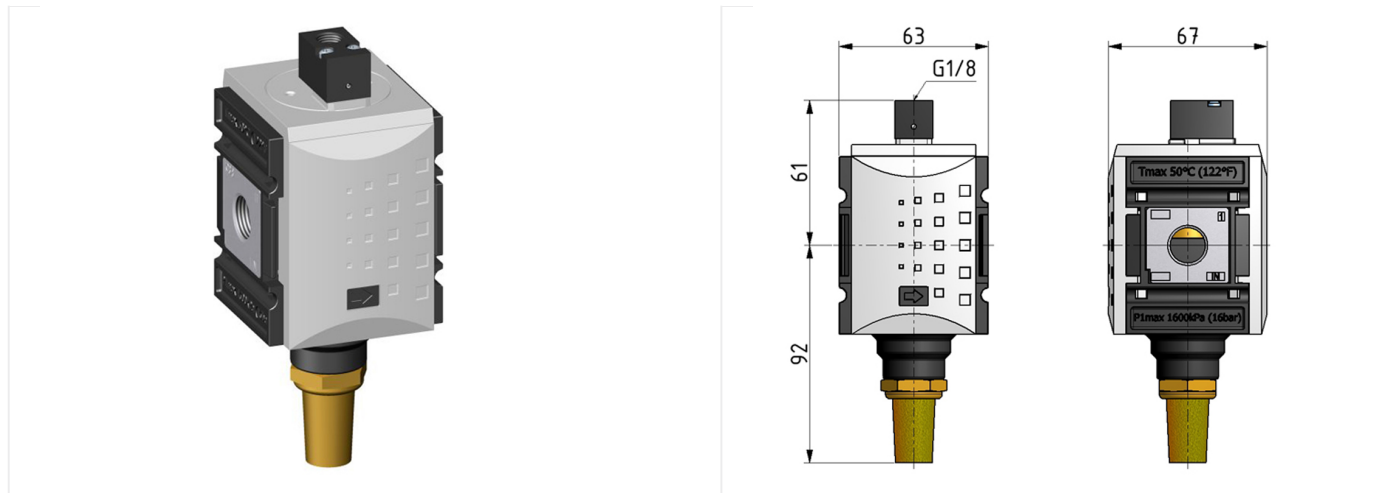
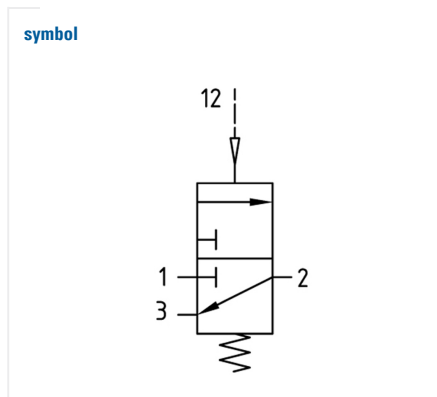
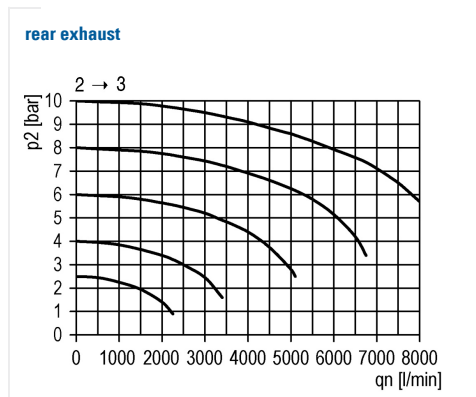
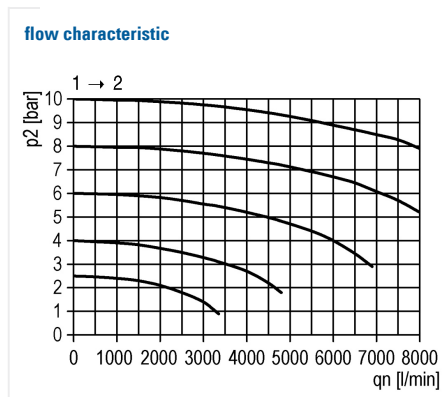


System extensions of the Futura series

3/2 Directional control valve G1/2 pneumatic operated



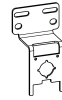
type	part-number	series	port size	flow rate	weight
KSOV-212 I	94012.EE10	Futura	G 1/2	4500 l/min	0.553 kg



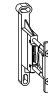
technical data

- **description:** 3/2 poppet valve
- **medium:** compressed air, neutral gases
- **supply pressure P1 max.:** 16 bar
- **temperature range:** -10°C - +50°C
- **input signal:** pneumatic
- **exhaust:** G 1/2

accessories



- mounting bracket:
[KBW 2-1225](#)



- coupling kit wall mounting:
[KKOP 2W](#)