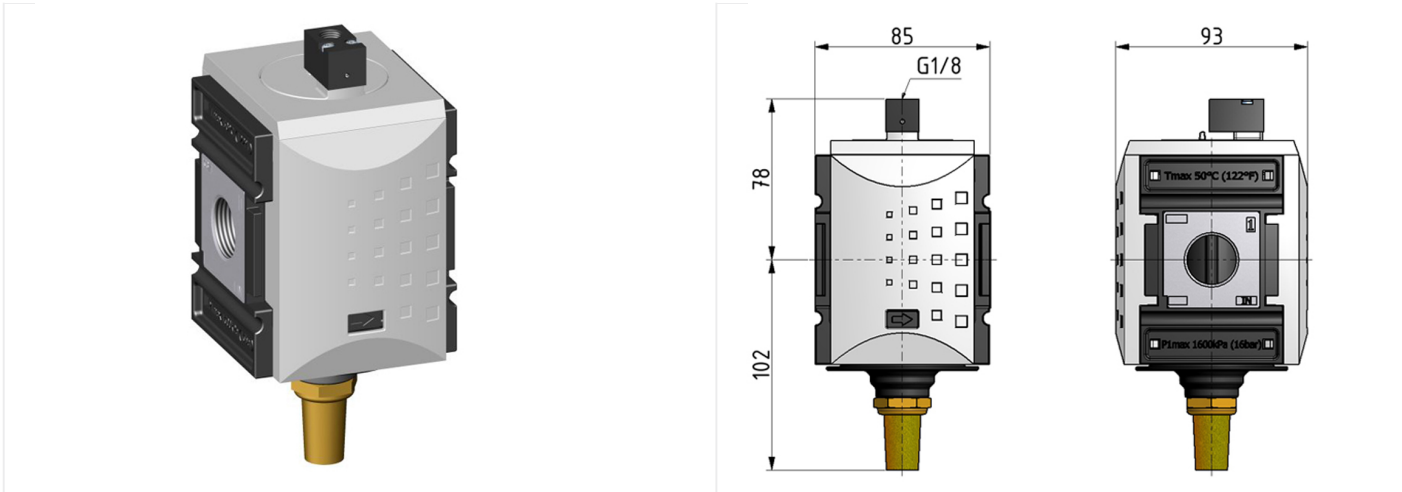
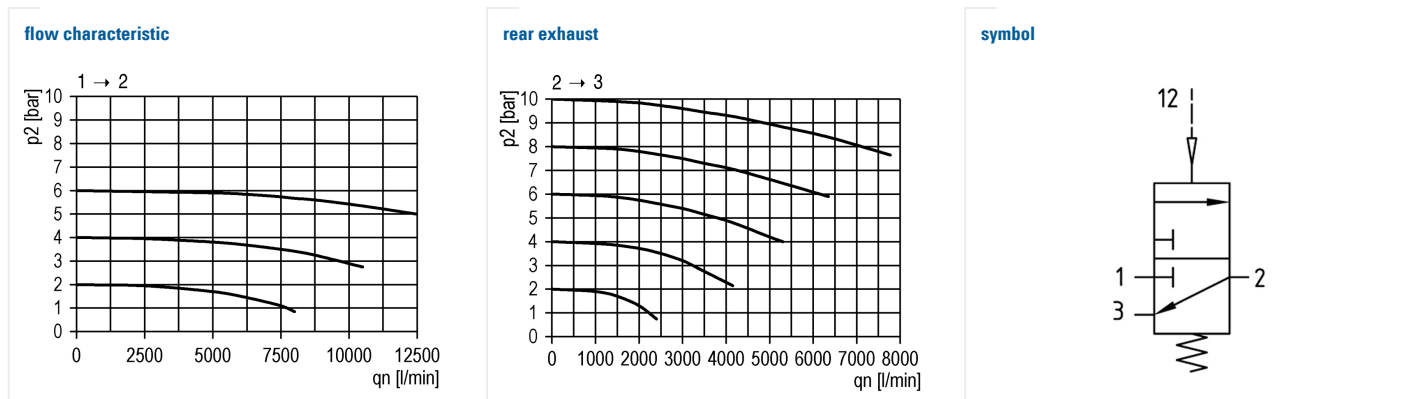


## System extensions of the Futura series

3/2 Directional control valve G1 pneumatic operated



type	part-number	series	port size	flow rate	weight
KSOV-41 I	94014.GG10	Futura	G 1	12500 l/min	0.681 kg



**technical data**

- **description:** 3/2 poppet valve
- **medium:** compressed air, neutral gases
- **supply pressure P1 max.:** 16 bar
- **temperature range:** -10°C - +50°C
- **input signal:** pneumatic
- **exhaust:** G 1/2

**accessories**



- mounting bracket:  
[KBW 4-1225](#)



- coupling kit wall mounting:  
[KKOP 4W](#)