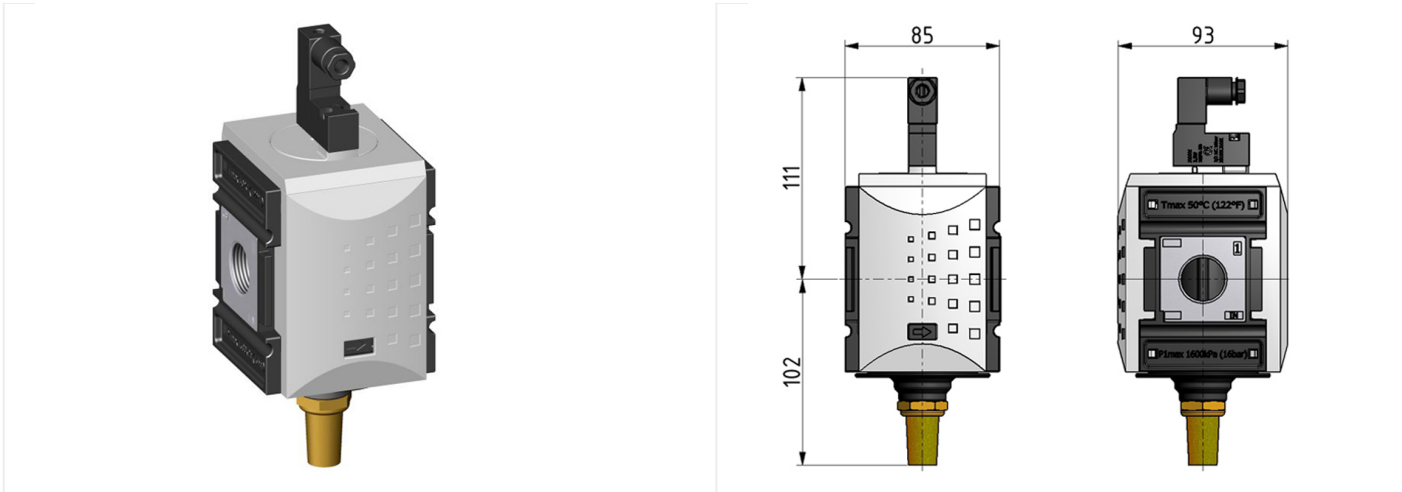
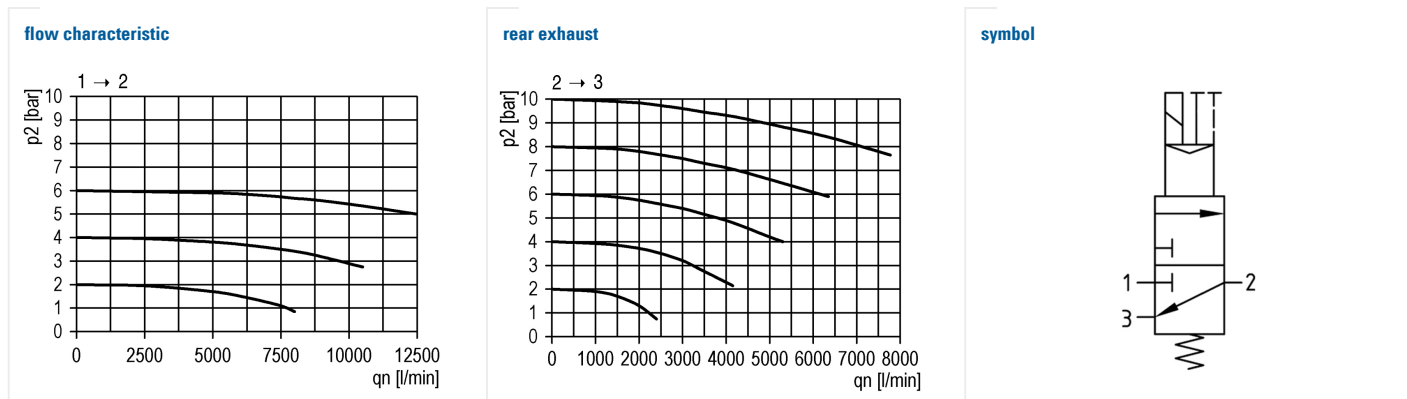


## System extensions of the Futura series

3/2 Directional control valve G1 electric operated 24V=



type	part-number	series	port size	flow rate	weight
KSOV-41/24	94014.GG02	Futura	G 1	12500 l/min	0.712 kg



#### technical data

- **description:** 3/2 poppet valve
- **medium:** compressed air, neutral gases
- **supply pressure P1 min.:** 2 bar
- **supply pressure P1 max.:** 10 bar
- **temperature range:** -10°C - +50°C
- **input signal:** 24V=
- **exhaust:** G 1/2
- **relative switch on duration:** 100%
- **capacity:** 2,5 W
- **protection class:** IP 65 according to DIN 40050
- **electrical connection:** socket coupling EN 175301-803, form C / ISO 15217 poles 2+PE (included in scope of delivery)

#### accessories



- mounting bracket:  
[KBW 4-1225](#)



- coupling kit wall mounting:  
[KKOP 4W](#)