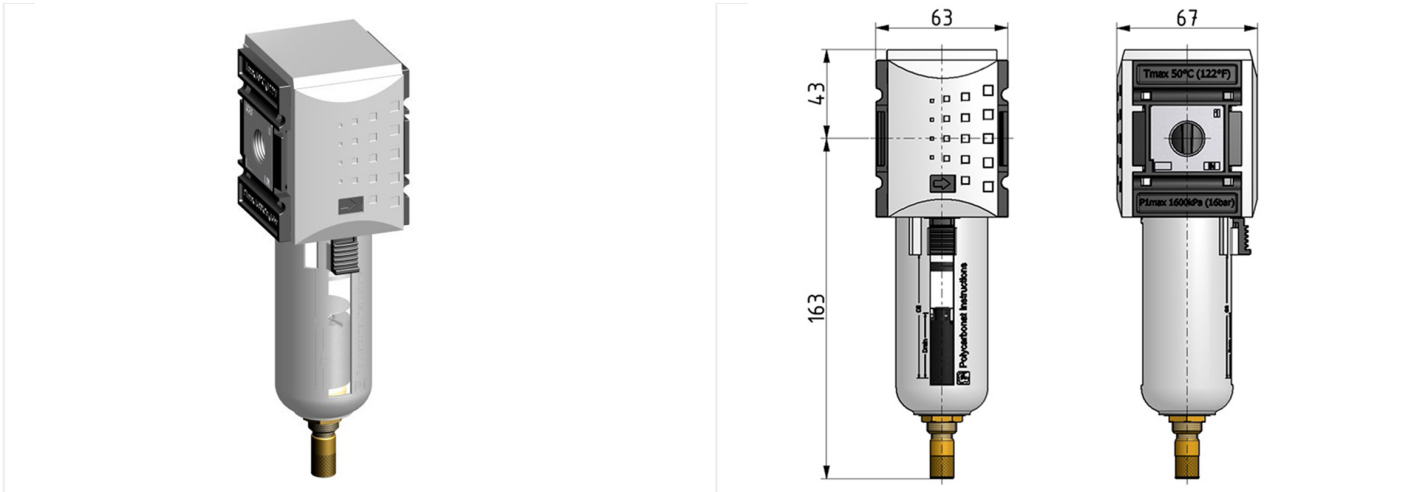


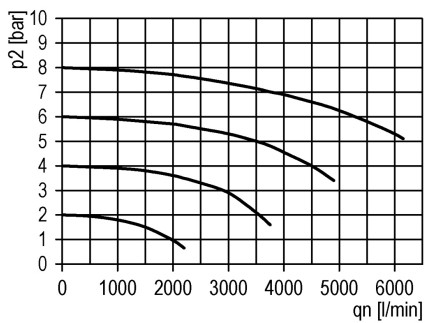
Filter of the Futura series

Filter G1/2 5µm with PC bowl, bowl guard and automatic drain

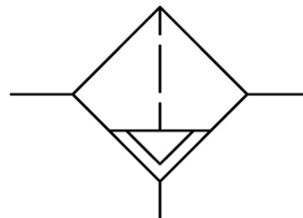


type	part-number	series	port size	flow rate	weight
KFIL-212 AM	91302.EE01	Futura	G 1/2	3500 l/min	0.428 kg

flow characteristic



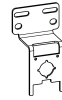
symbol



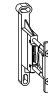
technical data

- **description:** sinter filter centrifugal principle
- **medium:** compressed air, neutral gases
- **supply pressure P1 min.:** 1,5 bar
- **supply pressure P1 max.:** 16 bar
- **temperature range:** -10°C - +50°C
- **bowl:** PC with PA bowl guard
- **drain:** AM NO
- **mounting:** vertical
- **filter element:** 5 µm

accessories



- mounting bracket:
[KBW 2-1225](#)



- coupling kit wall mounting:
[KKOP 2W](#)