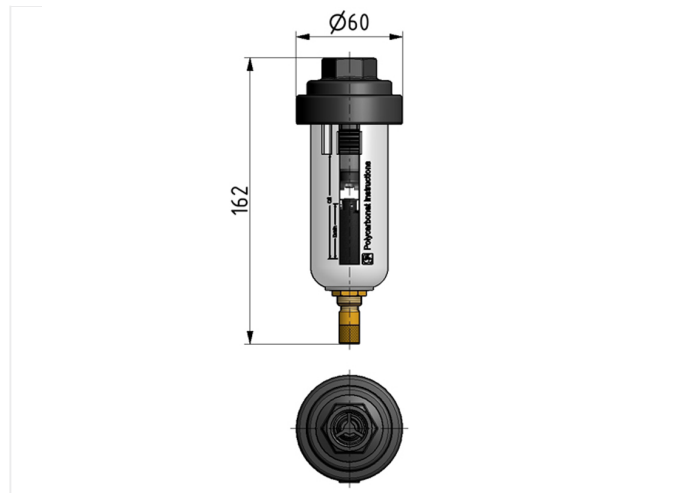
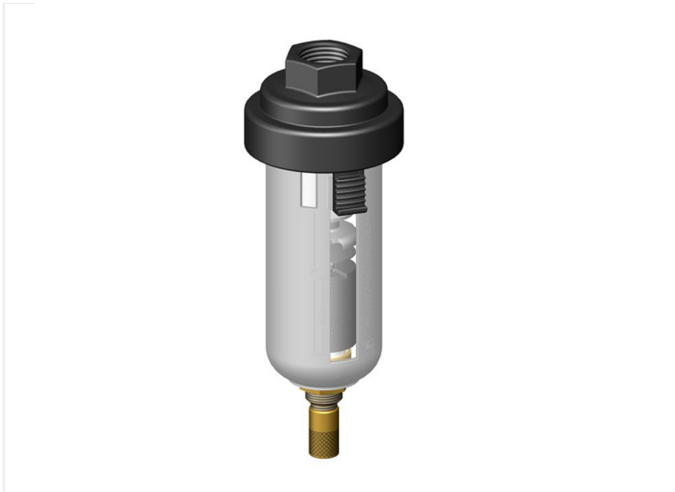


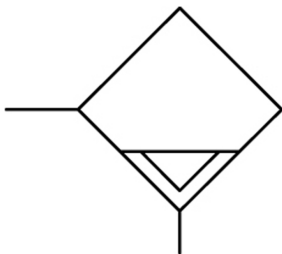
## Accessories of the Futura series

Condensate steam trap G1/2 with PC bowl, bowl guard and automatic drain



type	part-number	series	port size	weight
KA-212 AM10	93602.E001	Futura	G 1/2	0.213 kg

### symbol



### technical data

- **description:** condensation drain with auto drain
- **medium:** compressed air, neutral gases
- **supply pressure P1 min.:** 1,5 bar
- **supply pressure P1 max.:** 16 bar
- **bowl:** PC with PA bowl guard
- **drain:** AM NO
- **mounting:** vertical, drain down
- **fixing:** install in pipe line
- **drain:** at P1 < 1,5 bar valve open

### accessories