

Claw Couplings

MODY-Safety-Screwing Couplings DIN 3238



- Recommended instead of expensive and unhandy hosebreak secure systems (whip-check)
- High quality safety coupling, head of malleable iron with safety notches, hose stem of turned steel with special profile, zinc-plated and yellow passivated (free of chrome VI)
- Stronger thread - protective ring and new rubber ring, on both sides led in seal holder
- With oil resistant rubber ring, on request with steam resistant rubber ring (up to 200°C)
- 100 % tight, reduces expensive air consumption, 100 % couple test and sight control
- Easy to couple, secured against accidental opening: locking nut
- Maximum bore for more flow capacity
- For absolutely safe air lines in construction and industry

Materials

- Claw: Malleable iron zinc-plated and yellow passivated (free of chrome VI)
- Locking nut, forged clamps: Brass MS 58 plain
- Connector: Steel zinc-plated and yellow passivated (free of Chrom VI)
- O-rings: Buna N

Max. Working Pressure	Temperature	Thread	Norm	Claw Distance	Media	
PN 16 bar	-40°C – +95°C	ISO 228	DIN 3238	42 mm	Compressed air	5

MODY-Safety-Hose Couplings

Hose connection	L	B	L1	Passage	Weight	Type No.
Hose i.D. 10	100	63	41	6,5	309	SSG 10
Hose i.D. 13	100	63	41	10	309	SSG 13
Hose i.D. 15	100	63	41	11	316	SSG 15
Hose i.D. 19	100	63	41	15	319	SSG 19
Hose i.D. 25	100	63	41	18	346	SSG 25
Hose i.D. 32	135	63	48	18	464	SSG 32

For hose clamps DIN 20039 A type SL (© page 313) or crimping sockets type LPH (© page 318)

MODY-Safety-Hose Couplings with safety collar

Hose connection	L	B	L1	∅Collar	Passage	Weight	Type No.
Hose i.D. 10	103	63	41	21	6,5	323	SSG 10 S
Hose i.D. 13	110	63	41	24	10	321	SSG 13 S
Hose i.D. 15	112	63	41	27	11	343	SSG 15 S
Hose i.D. 19	112	63	40,5	32	15	350	SSG 19 S
Hose i.D. 25	112	63	40,5	39	18	386	SSG 25 S

For hose clamps DIN 20039 B type SK (© page 313)

MODY-Safety-Hose Couplings for crimping sockets (hydraulic crimping)

Hose connection	L	B	L1	∅Collar	Passage	Weight	Type No.
Hose i.D. 19	108	63	40	24	15	359	SSG 19 PH

Crimping with crimping socket PH-19 (© page 191)

Other sizes on request

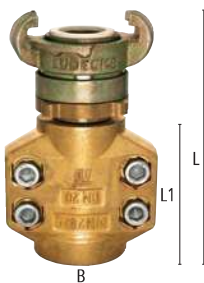
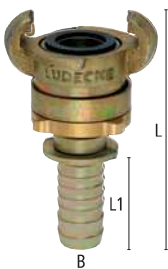
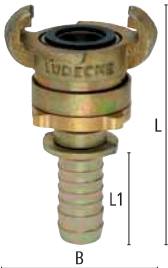
MODY-Safety-Hose Couplings for Aluminium forged clamps

Hose connection	L	B	L1	∅Collar	Passage	Weight	Type No.
Hose i.D. 19	110	63	35	26	15	340	SSG 19-KSA

For aluminium forged clamps VG 85 328 type KSA 30-33 (© page 338)

MODY-Safety-Hose Couplings with brass safety clamp for steam applications

Hose connection	L	B	L1	Passage	Dichtung	Weight	Type No.
Hose 19x7	113	63	52	15	TFEP (SDOR-N)	920	SSG 19 KSM
Hose 25x7,5	113	63	52	18	TFEP (SDOR-N)	1120	SSG 25 KSM

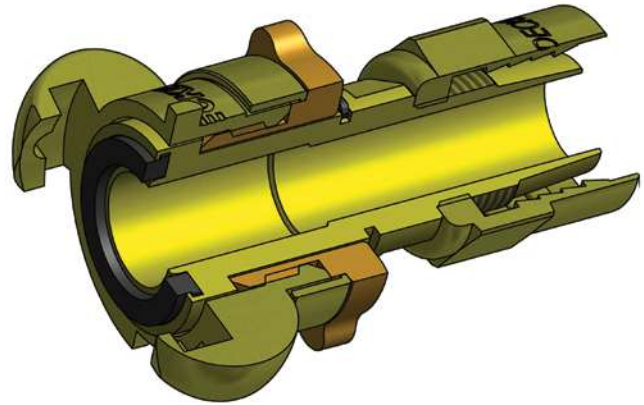


Claw Couplings

MODY-Safety-Screwing Couplings DIN 3238

Thread ferrule according to DIN EN 14 424 as the perfect hose connection for optimum security; at any time unlockable and reusable.

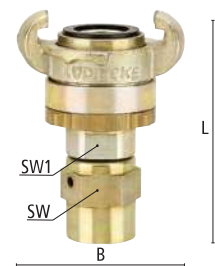
Please pay attention to the details for the essential hose wall thickness!



MODY-Safety-Hose Couplings with thread ferrule (according to DIN EN 14 424)

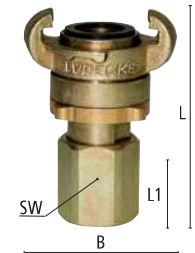
Hose connection	L	SW	B	SW1	Passage	Weight	Type No.
Hose 13x3	92	27	63	24	11	400	SSG 133 TQ
Hose 13x5	92	27	63	24	11	405	SSG 135 TQ
Hose 15x5	95	32	63	24	13	415	SSG 155 TQ
Hose 19x5	95	32	63	24	16	435	SSG 195 TQ
Hose 19x6	95	36	63	24	16	440	SSG 196 TQ
Hose 25x5	105	41	63	24	22	510	SSG 255 TQ
Hose 25x7	105	46	63	24	22	520	SSG 257 TQ

(Size 1" two parts screwed)



MODY-Safety Female Couplings

Thread connection	L	SW	B	L1	Passage	Weight	Type No.
G 3/8 f	68	24	63	13	13	347	SSGI 38
G 1/2 f	70	24	63	15	17	329	SSGI 12
G 3/4 f	93	32	63	20	17	419	SSGI 34
NEW! NPT 3/4 f	93	32	63	21,5	17	388	SSGI 34 NPT
G 1 f	95	41	63	22	17	516	SSGI 10
NEW! NPT 1 f	97	41	63	22	17	473	SSGI 10 NPT



MODY-Safety Male Couplings with LÜDSY-sealing system

Thread connection	L	SW	B	L1	Passage	Weight	Type No.
G 3/8 m	72	24	63	13	10	260	SSGA 38
G 1/2 m	73	24	63	14	13	260	SSGA 12
G 3/4 m	73	24	63	15	17	260	SSGA 34
NEW! NPT 3/4 m	73	24	63	18	17	280	SSGA 34 NPT*
R 1 m	85	36	63	18	17	370	SSGA 10
NEW! NPT 1 m	83	36	63	19	17	365	SSGA 10 NPT*

*without LÜDSY-thread sealing



Original MODY-Rubber Rings – Standard Version

Resistance	L	D	D1	Material	Temp.°C	Media	Colour	Shore A	Weight	Type No.	
Oil	4	30	21	Buna N	-40 – +95	Compr.air	black	75°	50	1.7	SGOR-N
Steam	4	30	21	TFEP	-40 – +200	Steam	red	65°	10	1.7	SDOR-N



Original MODY-Rubber Rings – Old Version (Only suitable for MODY-Couplings with old seal holder!)

Resistance	L	D	D1	Material	Temp.°C	Media	Colour	Shore A	Weight	Type No.	
Oil	7	33	21	Buna N	-40 – +95	Compr. air	black	60°	50	4	SGOR



All Types also available coloured (powder-coated) against surcharge

RAL 5010
 RAL 6029
 RAL 1004
 RAL 2002

Ⓢ Attention: At least 100 pc/type necessary!

