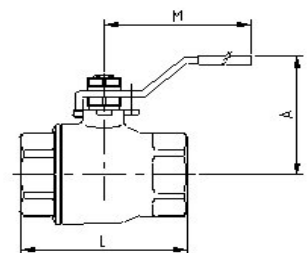
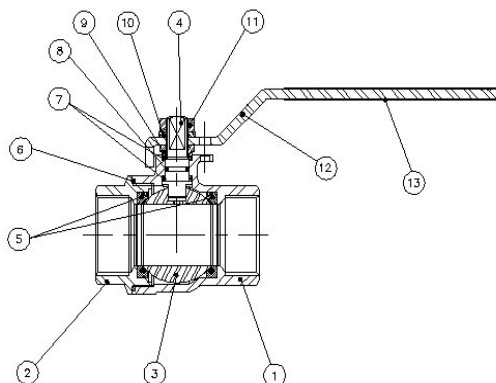


Stainless steel full port ball valve, 2 piece.

Features

1. Stainless steel full port ball valve, 2 piece.
2. Thread ends according to DIN 2999 standard.
3. Made of AISI 316 (CF8M).
4. Ball seats PTFE + 15 % G.F.
5. Blow-out proof stem.
6. Viton o'ring stem.
7. Stem gasket PTFE.
8. Locking system.
9. Max. Working pressure 63 bar.
10. Working Temperature $-25\text{ }^{\circ}\text{C} + 180\text{ }^{\circ}\text{C}$.

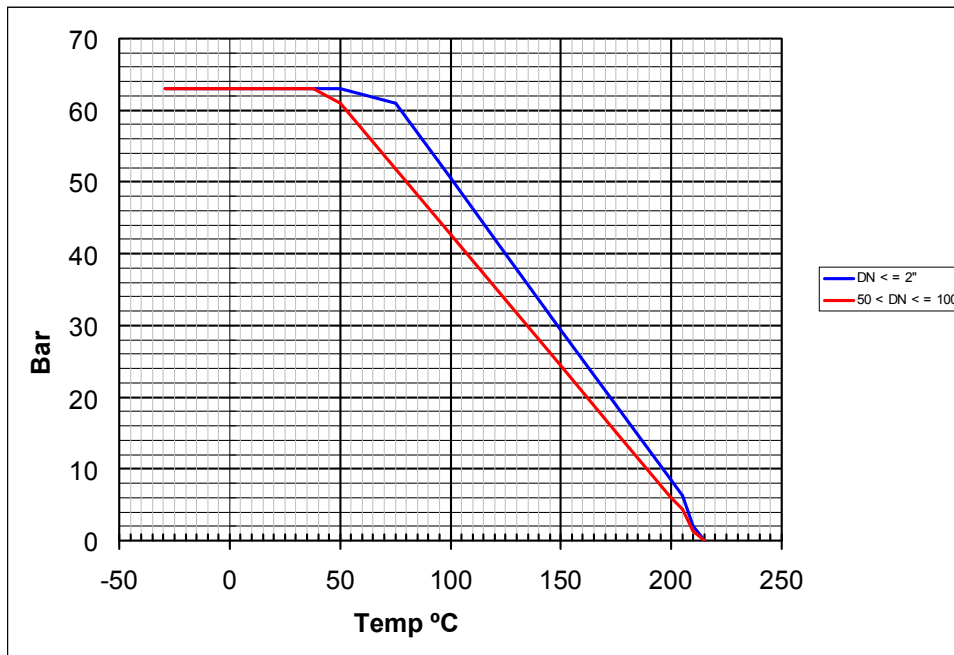


N°	Name	Material	Surface Treatment
1	Body	SS 316	Shot blasting
2	Cap	SS 316	Shot blasting
3	Ball	SS 316	-----
4	Stem	SS 316	-----
5	Ball Seat	PTFE + 15% GF.	-----
6	Gasket	PTFE	-----
7	Thrust Washer	PTFE	-----
8	O'ring	Viton	-----
9	Stem packing	SS 304	-----
10	Washer	SS 304	-----
11	Nut	SS 304	-----
12	Handle	SS 304	-----
13	Handle Sleeve	Vynil	-----

GENERAL DIMENSIONS

Ref	size	PN	Dimensions (mm)				Weight (g)
			P	A	L	M	
MO-G2P-02	1/4"	63	11	50	50	104	207
MO-G2P-03	3/8"	63	12.7	50	50	104	195
MO-G2P-04	1/2"	63	15	51.5	55	104	237
MO-G2P-05	3/4"	63	20.6	62	70	122	442
MO-G2P-06	1"	63	25.4	65	83	122	606
MO-G2P-07	1 1/4"	63	31.8	82	91	180	1084
MO-G2P-08	1 1/2"	63	38.1	88	103	180	1544
MO-G2P-09	2"	63	50.8	106	120	219	2648
MO-G2P-10	2 1/2"	63	65	119	152	230	4707
MO-G2P-11	3"	63	80	135	172	275	7288

PRESSURE TEMPERATURE RATING



Kv VALUES

Kv = The rate of flow of water in cubic meter per hour that will generate a pressure drop of 1 bar across the valve.

1/4"	3/8"	1/2"	3/4"	1"	1 1/4"	1 1/2"	2"	2 1/2"	3"
6	10	24	43	83	130	205	340	520	1100