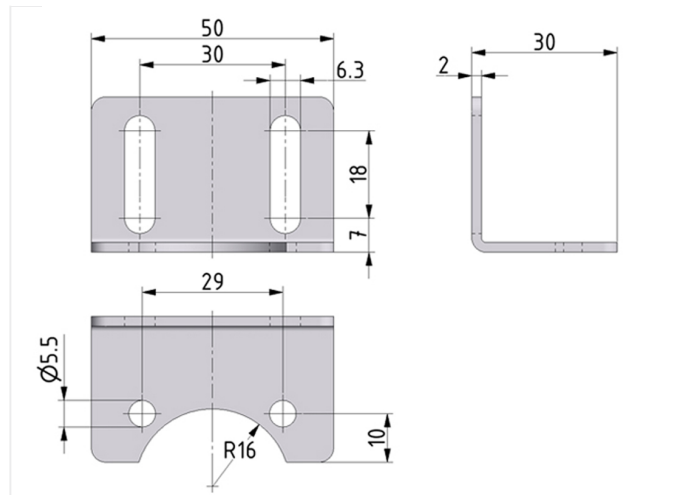


## Accessories

Mounting bracket packed in a bag



type	part-number	series 3	series	weight
BW.10	9.9711.00.005	Standard	BG2	0.043 kg

### technical data

- **description:** Mounting bracket
- **material:** steel galvanized
- **fixing:** mounting with 2 screws

### accessories