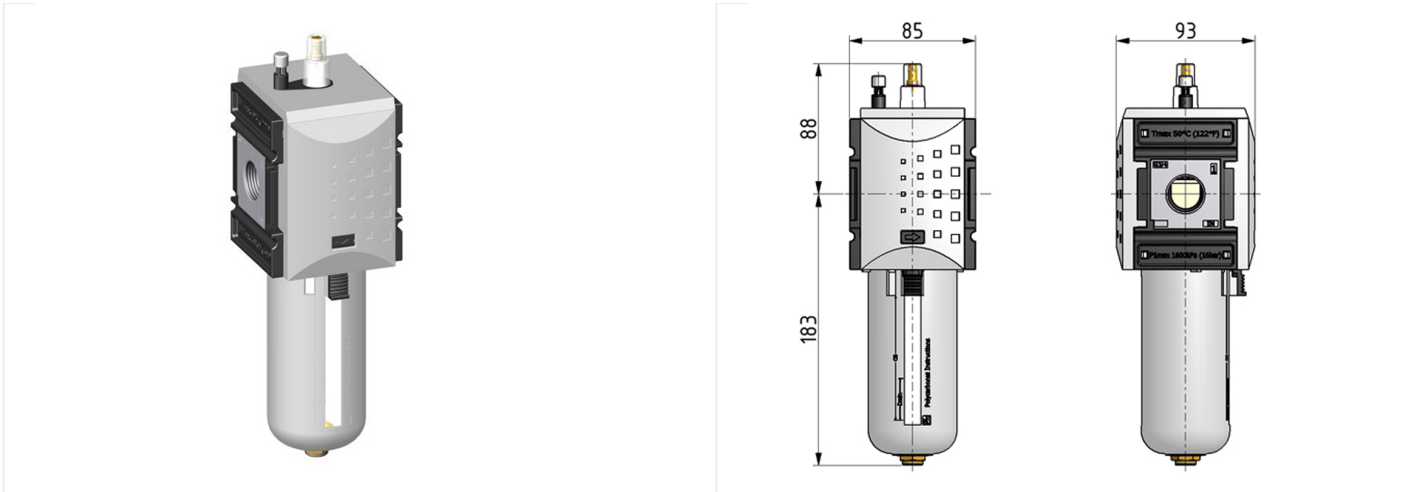
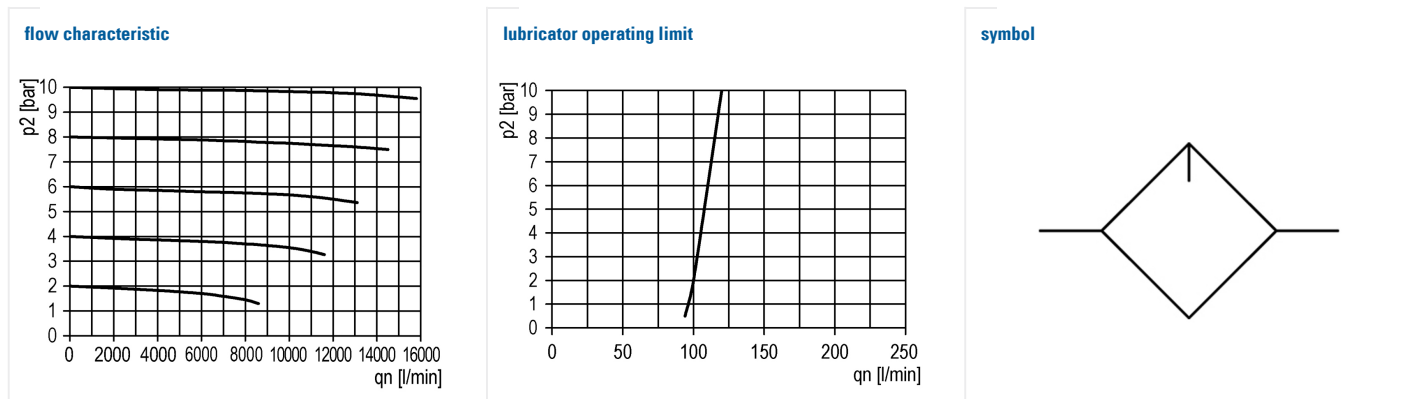


Lubricator of the Futura series

Lubricator G1 with automatic oil filling, PC bowl and bowl guard



type	part-number	series	port size	flow rate	weight
KLUB-41	92504.GG00	Futura	G 1	14000 l/min	0.886 kg



technical data

- **description:** lubricator with automatic oil filling
- **medium:** compressed air, neutral gases
- **supply pressure P1 max.:** 16 bar
- **temperature range:** -10°C - +50°C
- **bowl:** PC with PA bowl guard
- **mounting:** vertical
- **bowl volume lubricator:** 181 cm³
- **oil type:** CL 32 DIN 51517 - ISO VG 32
- **dome assembly:** PC
- **oil fill in:** can be oilpulling during operation

accessories



- mounting bracket:
[KBW.4-1225](#)



- coupling kit wall mounting:
[KKOP.4W](#)

- electrical level indicator
(version addition: N)