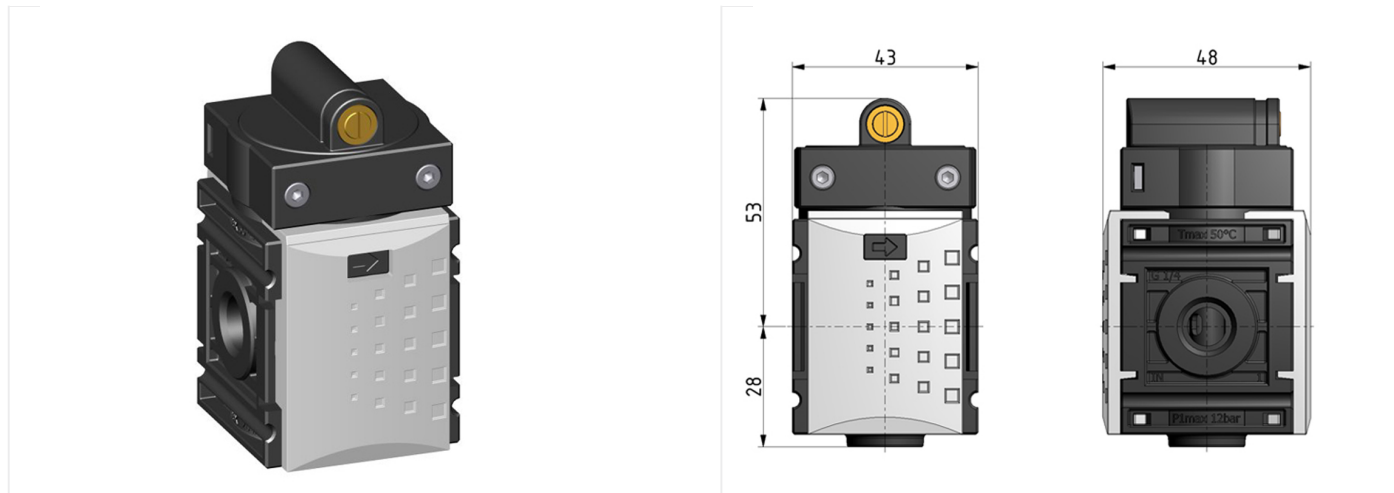
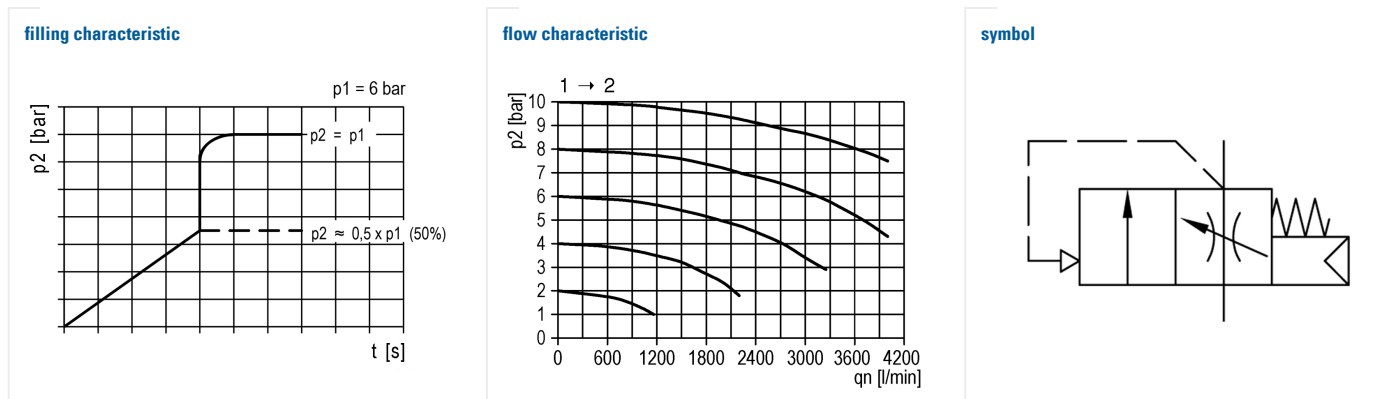


System extensions of the Futura series

Soft start valve G1/4



type	part-number	series	port size	flow rate	weight
KSSV-014	94020.CC00	Futura	G 1/4	2000 l/min	0.136 kg



technical data

- **description:** poppet valve, operated by secondary pressure
- **medium:** compressed air, neutral gases
- **supply pressure P1 min.:** 2,5 bar
- **supply pressure P1 max.:** 12 bar
- **temperature range:** -10°C - +50°C
- **switching pressure:** 50% P1 (only for closed systems)

accessories



- mounting bracket:
[KBW 0-1225](#)



- coupling kit wall mounting:
[KKOP 0W](#)