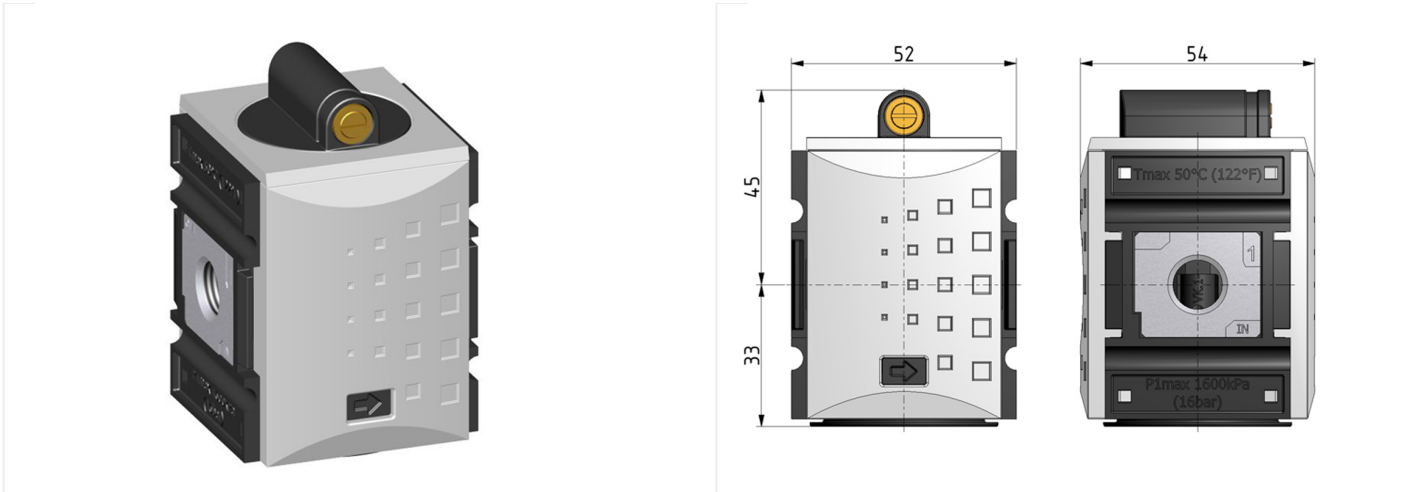


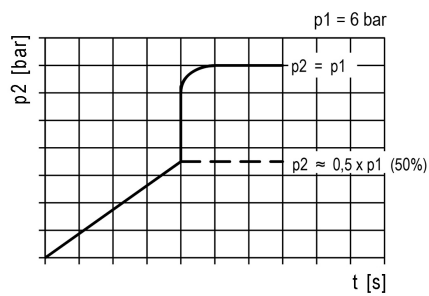
System extensions of the Futura series

Soft start valve G3/8

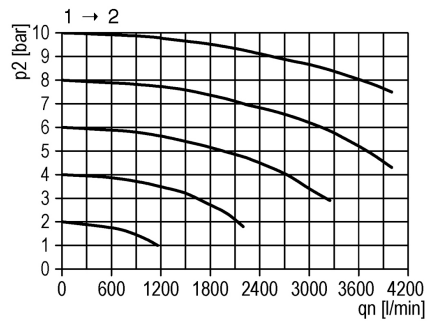


type	part-number	series	port size	flow rate	weight
KSSV-138	94021.DD00	Futura	G 3/8	2000 l/min	0.222 kg

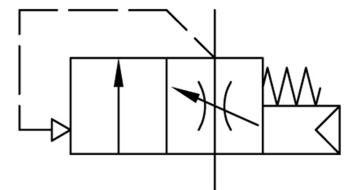
filling characteristic



flow characteristic



symbol



technical data

- **description:** poppet valve, operated by secondary pressure
- **medium:** compressed air, neutral gases
- **supply pressure P1 min.:** 2,5 bar
- **supply pressure P1 max.:** 16 bar
- **temperature range:** -10°C - +50°C
- **switching pressure:** 50% P1 (only for closed systems)

accessories



- mounting bracket:
[KBW 1-1225](#)



- coupling kit wall mounting:
[KKOP 1W](#)