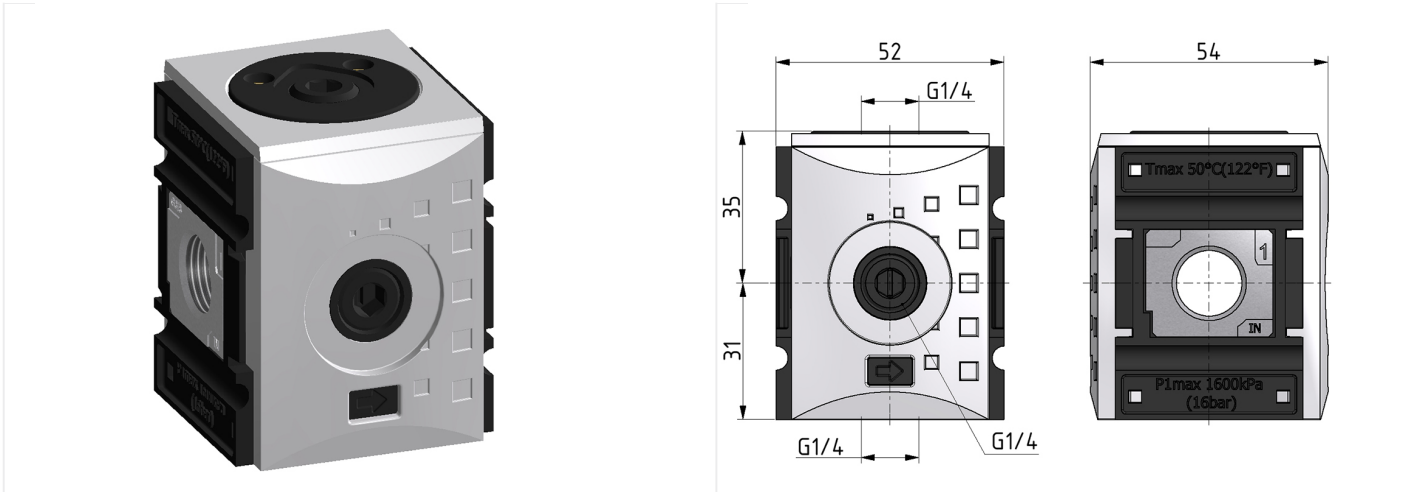


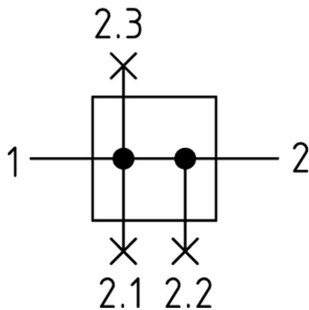
System extensions of the Futura series

Distributor G1/4



type	part-number	series	port size	weight
KDIS-114	94041.CC00	Futura	G 1/4	0.187 kg

symbol



technical data

- **description:** cross manifold (manifold block)
- **medium:** compressed air, neutral gases
- **supply pressure P1 max.:** 16 bar
- **temperature range:** -10°C - +50°C
- **flow rate 1 => 2:** 2700 l/min
- **flow rate below 1 => 2.1:** Qn = 2000 l/min (at P1 = 6 bar, delta p = 1 bar)
- **flow rate top 1 => 2.2:** Qn = 2000 l/min (at P1 = 6 bar, delta p = 1 bar)
- **flow rate front 1 => 2.3:** Qn = 900 l/min (at P1 = 6 bar, delta p = 1 bar)

accessories



- mounting bracket:
[KBW.1-1225](#)



- coupling kit wall mounting:
[KKOP.1W](#)



- Druckschalter: [PE.10](#)