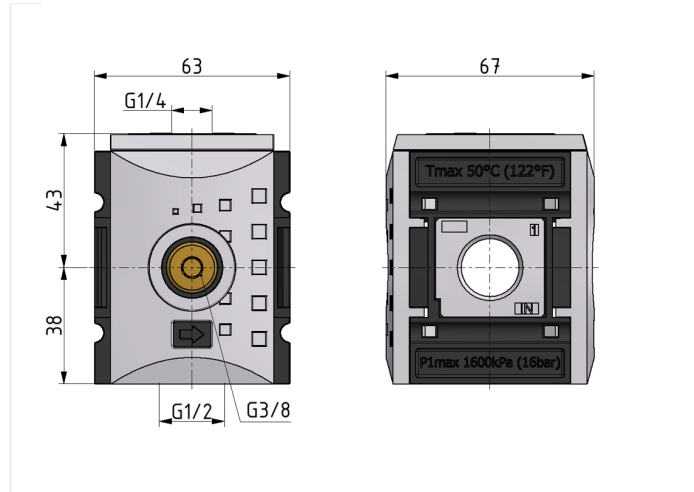
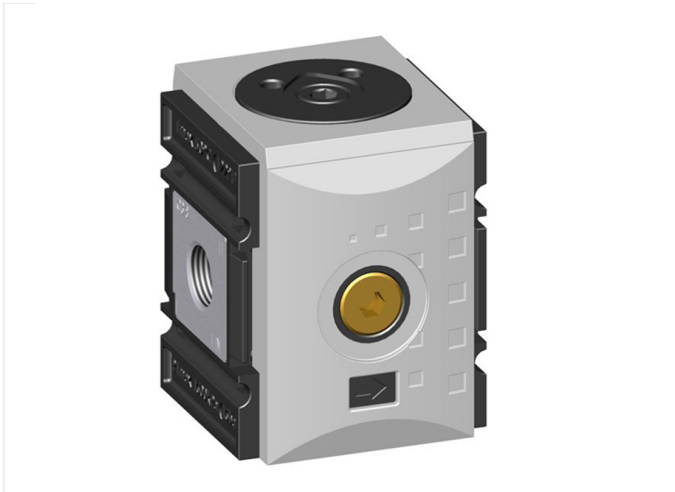


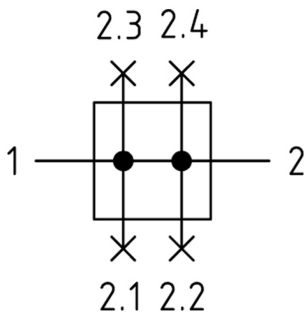
## System extensions of the Futura series

Distributor G1/2



type	part-number	series	port size	weight
KDIS-212	94042.EE00	Futura	G 1/2	0.333 kg

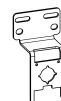
### symbol



### technical data

- **description:** cross manifold (manifold block)
- **medium:** compressed air, neutral gases
- **supply pressure P1 max.:** 16 bar
- **temperature range:** -10°C - +50°C
- **flow rate 1 => 2:** 7250 l/min
- **flow rate below 1 => 2.1:** Qn = 5500 l/min (at P1 = 6 bar, delta p = 1 bar)
- **flow rate top 1 => 2.2:** Qn = 2250 l/min (at P1 = 6 bar, delta p = 1 bar)
- **flow rate front 1 => 2.3:** Qn = 2300 l/min (at P1 = 6 bar, delta p = 1 bar)
- **flow rate back 1 => 2.4:** Qn = 2300 l/min (at P1 = 6 bar, delta p = 1 bar)

### accessories



- mounting bracket: [KBW.2-1225](#)



- coupling kit wall mounting: [KKOP.2W](#)



- Druckschalter: [PE.10](#)