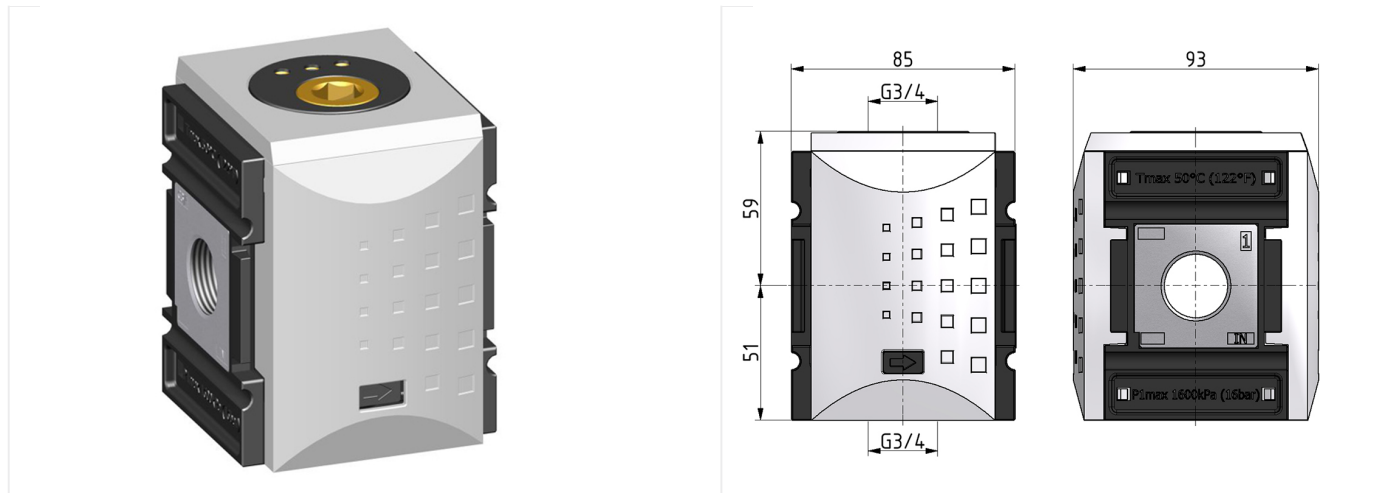


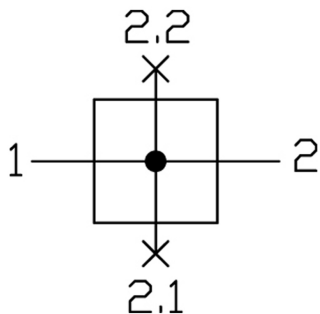
System extensions of the Futura series

Distributor G3/4



type	part-number	series	port size	weight
KDIS-434	94044.FF00	Futura	G 3/4	0.883 kg

symbol



technical data

- **description:** distribution manifold block
- **medium:** compressed air, neutral gases
- **supply pressure P1 max.:** 16 bar
- **temperature range:** -10°C - +50°C
- **flow rate 1 => 2:** 18000 l/min
- **flow rate below 1 => 2.1:** Qn = 12000 l/min (at P1 = 6 bar, delta p = 1 bar)
- **flow rate top 1 => 2.2:** Qn = 8500 l/min (at P1 = 6 bar, delta p = 1 bar)

accessories

- mounting bracket: [KBW.4-1225](#)
- coupling kit wall mounting: [KKOP.4W](#)
- Druckschalter: [PE.10](#)