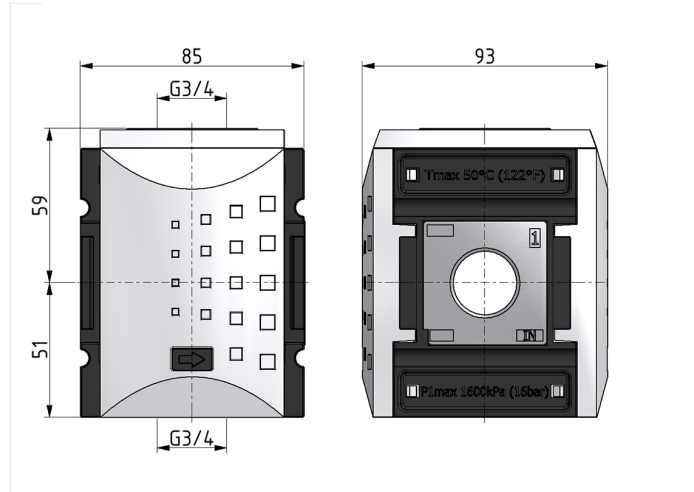
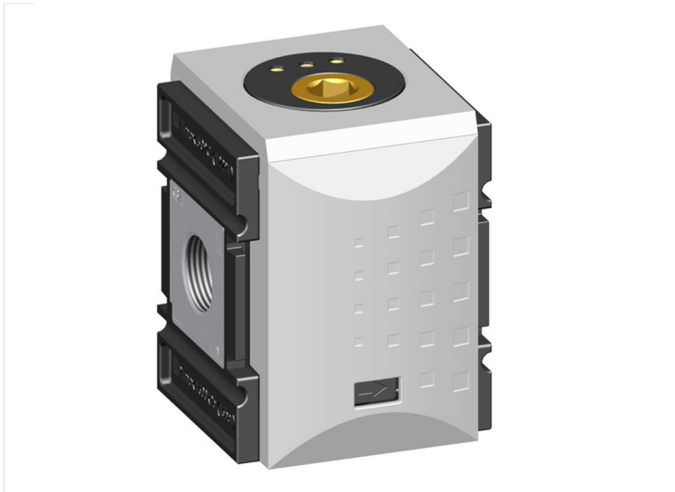


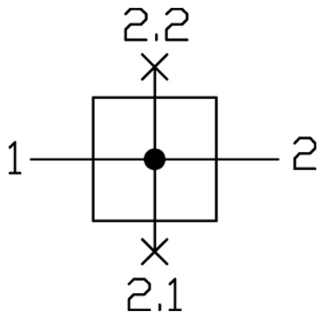
System extensions of the Futura series

Distributor G1



type	part-number	series	port size	weight
KDIS-41	94044.GG00	Futura	G 1	0.816 kg

symbol



technical data

- **description:** distribution manifold block
- **medium:** compressed air, neutral gases
- **supply pressure P1 max.:** 16 bar
- **temperature range:** -10°C - +50°C
- **flow rate 1 => 2:** 18000 l/min
- **flow rate below 1 => 2.1:** Qn = 12000 l/min (at P1 = 6 bar, delta p = 1 bar)
- **flow rate top 1 => 2.2:** Qn = 8500 l/min (at P1 = 6 bar, delta p = 1 bar)

accessories



- mounting bracket:
[KBW.4-1225](#)



- coupling kit wall mounting:
[KKOP.4W](#)



- Druckschalter: [PE.10](#)