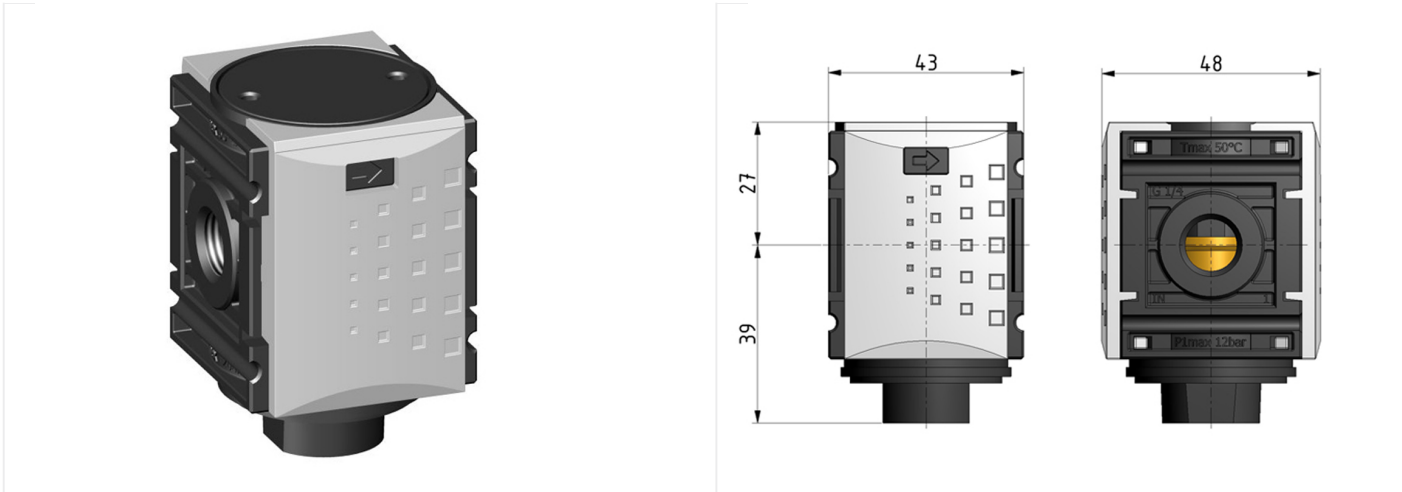
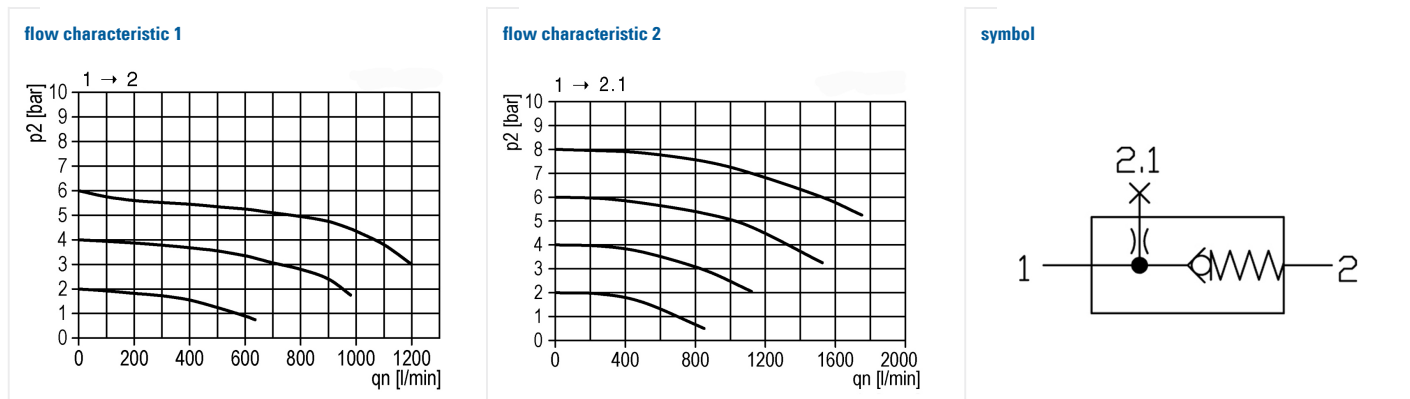


System extensions of the Futura series

Non return valve G1/4



type	part-number	series	port size	weight
KREV-014	94030.CC00	Futura	G 1/4	0.135 kg



technical data

- **description:** poppet valve, spring loaded
- **medium:** compressed air, neutral gases
- **supply pressure P1 min.:** 0,4 bar
- **supply pressure P1 max.:** 12 bar
- **temperature range:** -10°C - +50°C
- **flow rate 1 => 2:** 750 l/min
- **flow rate below 1 => 2.1:** Qn = 1000 l/min (at P1 = 6 bar, delta p = 1 bar)

accessories



- mounting bracket:
[KBW 0-1225](#)



- coupling kit wall mounting:
[KKOP 0W](#)