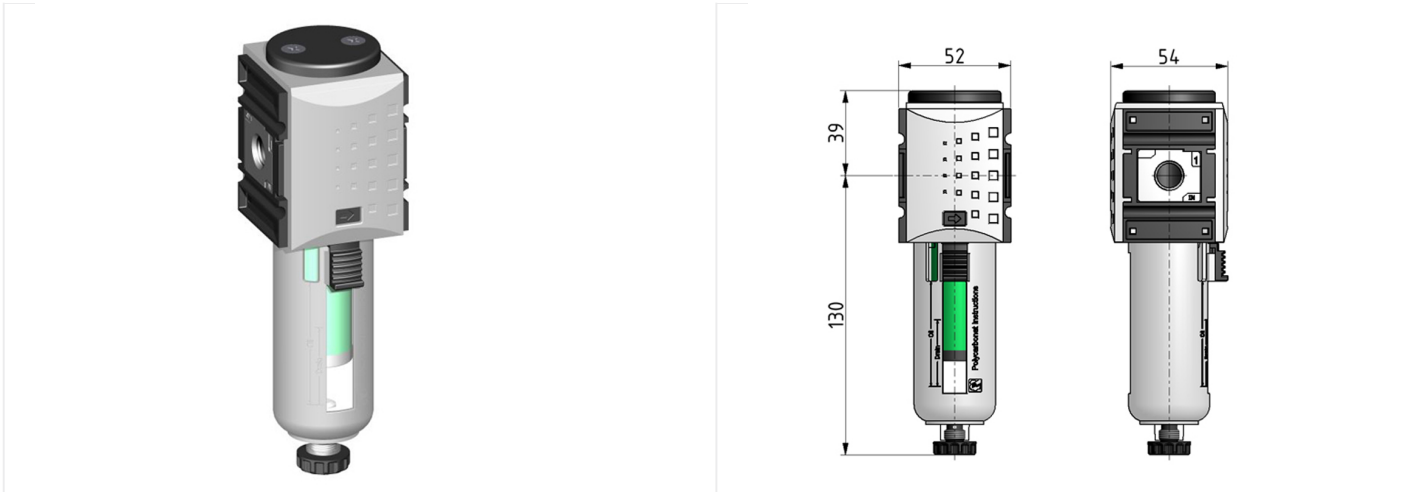


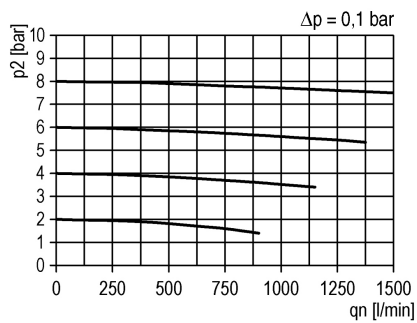
Filter of the Futura series

Finefilter G1/4 0,01µm with PC bowl, bowl guard and semi automatic drain

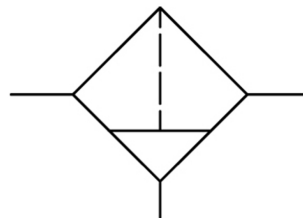


type	part-number	series	port size	flow rate	weight
KCFI-114	91321.CC00	Futura	G 1/4	350 l/min	0.281 kg

flow characteristic



symbol



technical data

- **description:** finefilter
- **medium:** compressed air, neutral gases
- **supply pressure P1 min.:** 1,5 bar
- **supply pressure P1 max.:** 16 bar
- **temperature range:** -10°C - +50°C
- **bowl:** PC with PA bowl guard
- **drain:** HA
- **mounting:** vertical
- **filter element:** 0,01 µm
- **particle separation:** > 0,01 µm 99,999%
- **residual oil concent:** < 0,01 mg/m³ 99.999%

accessories



- mounting bracket:
[KBW 1-1225](#)



- coupling kit wall mounting:
[KKOP.1W](#)

- differential pressure display



- differential pressure gauge:
[DM 2](#)