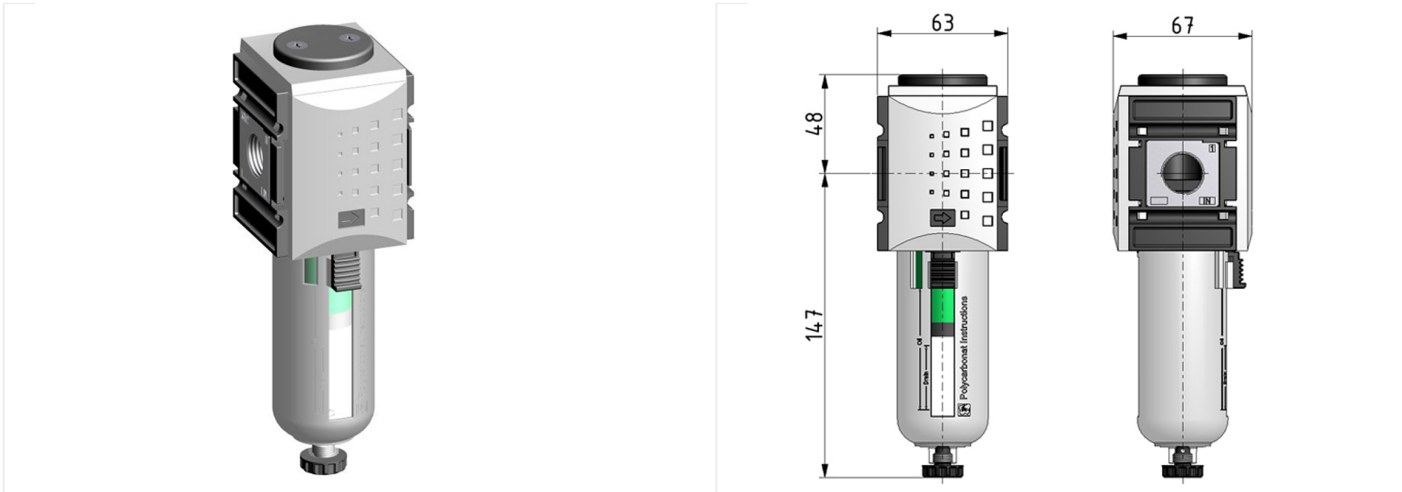


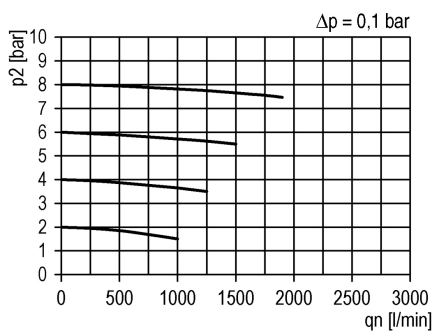
## Filter of the Futura series

Finefilter G1/2 0,01µm with PC bowl, bowl guard and semi automatic drain

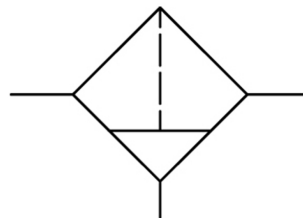


type	part-number	series	port size	flow rate	weight
KCFI-212	91322.EE00	Futura	G 1/2	450 l/min	0.436 kg

### flow characteristic



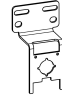
### symbol



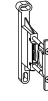
**technical data**

- **description:** finefilter
- **medium:** compressed air, neutral gases
- **supply pressure P1 min.:** 1,5 bar
- **supply pressure P1 max.:** 16 bar
- **temperature range:** -10°C - +50°C
- **bowl:** PC with PA bowl guard
- **drain:** HA
- **mounting:** vertical
- **filter element:** 0,01 µm
- **particle separation:** > 0,01 µm 99,999%
- **residual oil concent:** < 0,01 mg/m<sup>3</sup> 99.999%

**accessories**



- mounting bracket:  
[KBW 2-1225](#)



- coupling kit wall mounting:  
[KKOP.2W](#)

- differential pressure display



- differential pressure gauge:  
[DM 2](#)