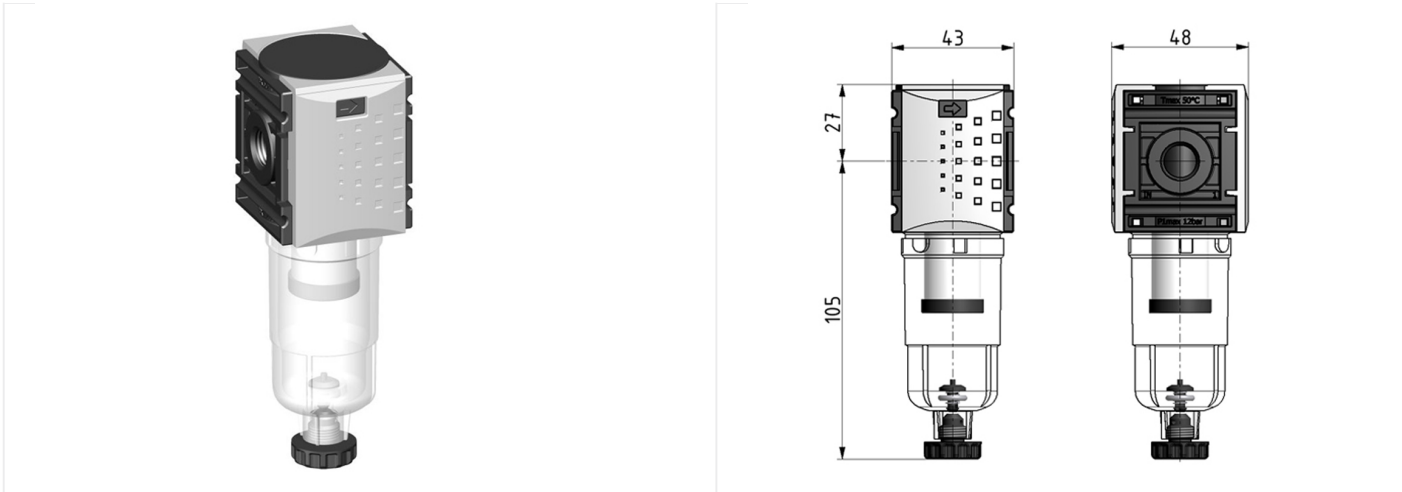


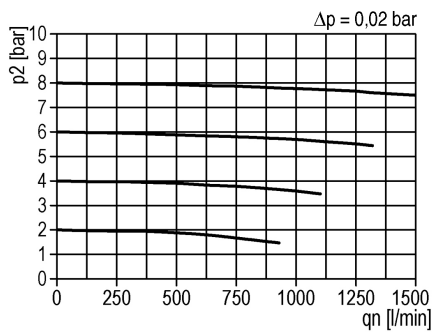
## Filter of the Futura series

Prefilter G1/4 0,3µm with PC bowl and semi automatic drain

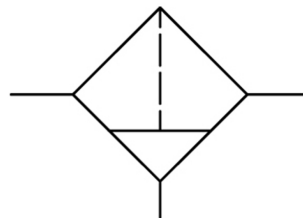


type	part-number	series	port size	flow rate	weight
KPFI-014	91310.CC00	Futura	G 1/4	140 l/min	0.133 kg

### flow characteristic



### symbol



**technical data**

- **description:** prefilter
- **medium:** compressed air, neutral gases
- **supply pressure P1 min.:** 1,5 bar
- **supply pressure P1 max.:** 12 bar
- **temperature range:** -10°C - +50°C
- **bowl:** PC
- **drain:** HA
- **mounting:** vertical
- **filter element:** 0,3 µm
- **particle separation:** 99.999%

**accessories**



- mounting bracket:  
[KBW.0-1225](#)



- coupling kit wall mounting:  
[KKOP.QW](#)