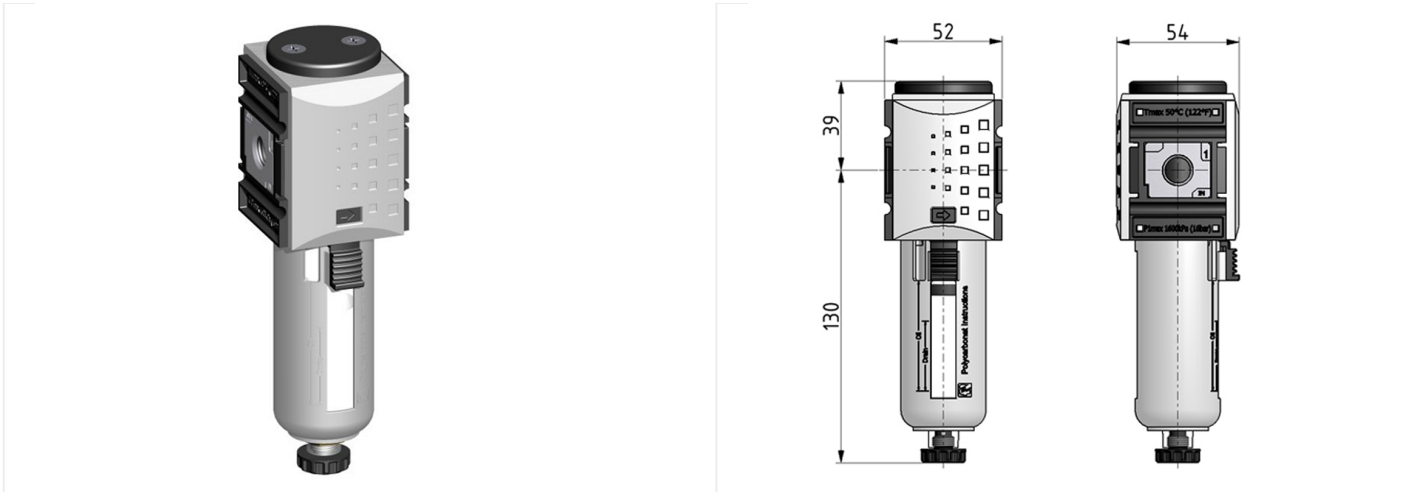


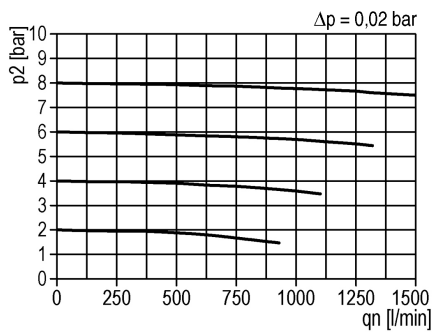
Filter of the Futura series

Prefilter G3/8 0,3µm with PC bowl, bowl guard and semi automatic drain

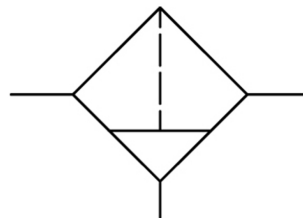


type	part-number	series	port size	flow rate	weight
KPFI-138	91311.DD00	Futura	G 3/8	300 l/min	0.269 kg

flow characteristic



symbol



technical data

- **description:** prefilter
- **medium:** compressed air, neutral gases
- **supply pressure P1 min.:** 1,5 bar
- **supply pressure P1 max.:** 16 bar
- **temperature range:** -10°C - +50°C
- **bowl:** PC with PA bowl guard
- **drain:** HA
- **mounting:** vertical
- **filter element:** 0,3 µm
- **particle separation:** 99.999%

accessories



- mounting bracket:
[KBW 1-1225](#)



- coupling kit wall mounting:
[KKOP.1W](#)

- differential pressure display



- differential pressure gauge:
[DM 2](#)