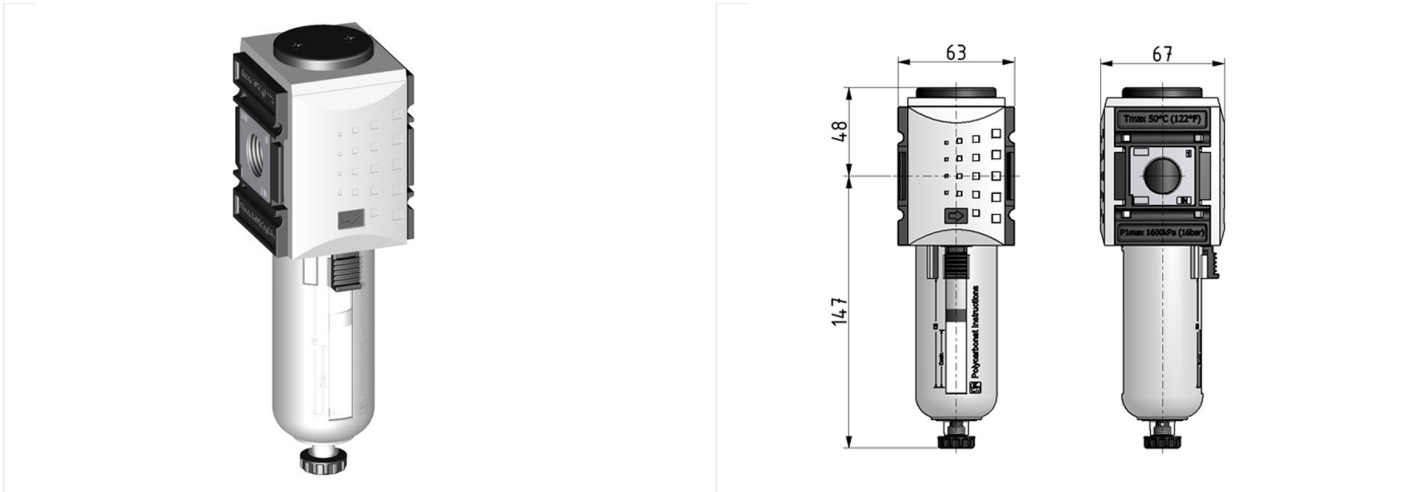


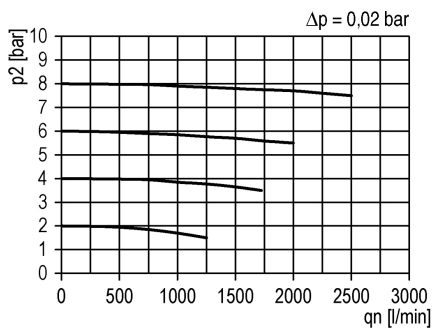
Filter of the Futura series

Prefilter G1/2 0,3µm with PC bowl, bowl guard and semi automatic drain

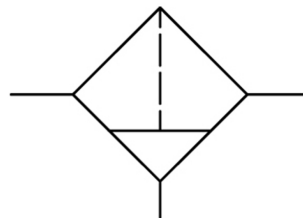


type	part-number	series	port size	flow rate	weight
KPFI-212	91312.EE00	Futura	G 1/2	500 l/min	0.290 kg

flow characteristic



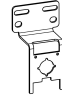
symbol



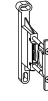
technical data

- **description:** prefilter
- **medium:** compressed air, neutral gases
- **supply pressure P1 min.:** 1,5 bar
- **supply pressure P1 max.:** 16 bar
- **temperature range:** -10°C - +50°C
- **bowl:** PC with PA bowl guard
- **drain:** HA
- **mounting:** vertical
- **filter element:** 0,3 µm
- **particle separation:** 99.999%

accessories



- mounting bracket:
[KBW 2-1225](#)



- coupling kit wall mounting:
[KKOP.2W](#)

- differential pressure display



- differential pressure gauge:
[DM 2](#)