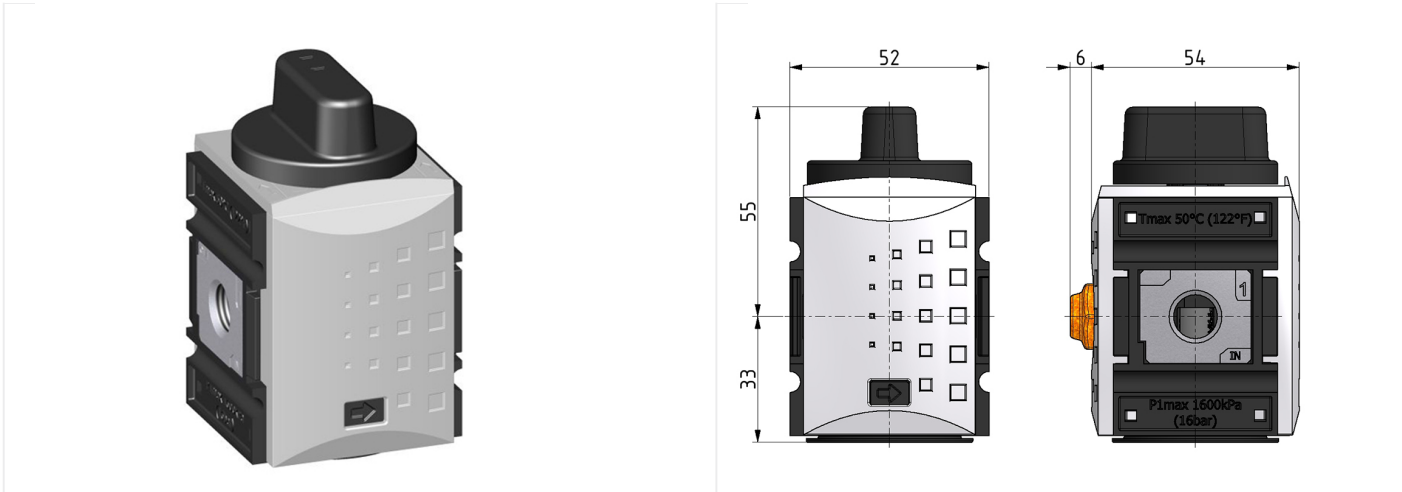


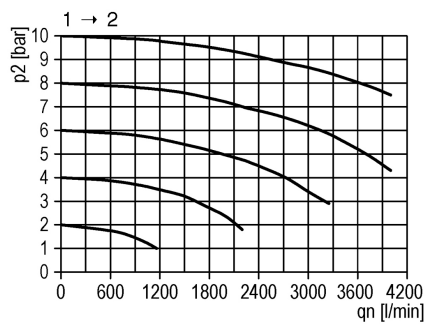
System extensions of the Futura series

Ball valve G3/8

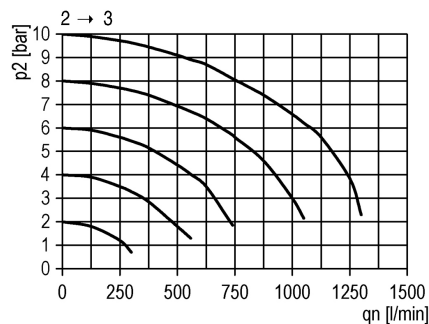


type	part-number	series	port size	flow rate	weight
KBAV-138	94001.DD00	Futura	G 3/8	2000 l/min	0.256 kg

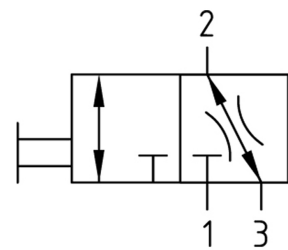
flow characteristic



rear exhaust



symbol



technical data

- **description:** 3/2 directional control valve, operated by a knob, 3-fold lockable with a padlock, shackle \varnothing 8mm
- **medium:** compressed air, neutral gases
- **supply pressure P1 max.:** 16 bar
- **temperature range:** -10°C - +50°C
- **locking:** lockable with padlock
- **exhaust:** G 1/4
- **operating:** knob can be turned 90°
- **exhaust (2 => 3):** Qn = 400 l/min (at P1 = 6 bar, delta p = 1 bar)

accessories



- mounting bracket:
[KBW 1-1225](#)



- coupling kit wall mounting:
[KKOP.1W](#)