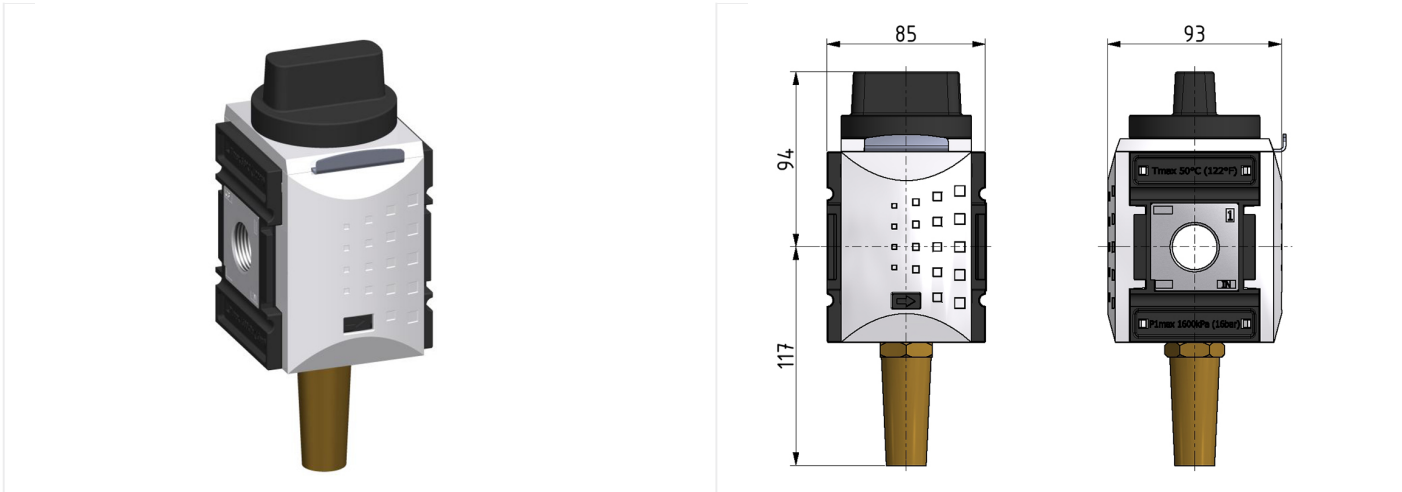
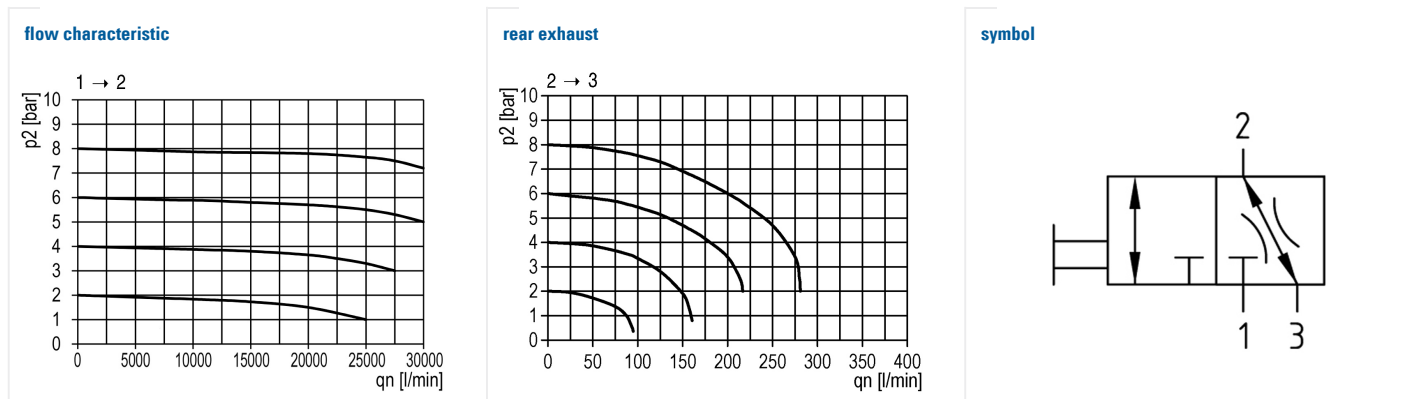


System extensions of the Futura series

Ball valve G1



type	part-number	series	port size	flow rate	weight
KBAM-41	94004.GG00	Futura	G 1	30000 l/min	1.114 kg



technical data

- **description:** 3/2 directional control valve, operated by a knob, 3-fold lockable with a padlock, shackle \varnothing 8mm
- **medium:** compressed air, neutral gases
- **supply pressure P1 max.:** 16 bar
- **temperature range:** -10°C - +50°C
- **locking:** lockable with padlock
- **exhaust:** G 3/4
- **operating:** knob can be turned 90°

accessories



- mounting bracket:
[KBW 4-1225](#)



- coupling kit wall mounting:
[KKOP 4W](#)