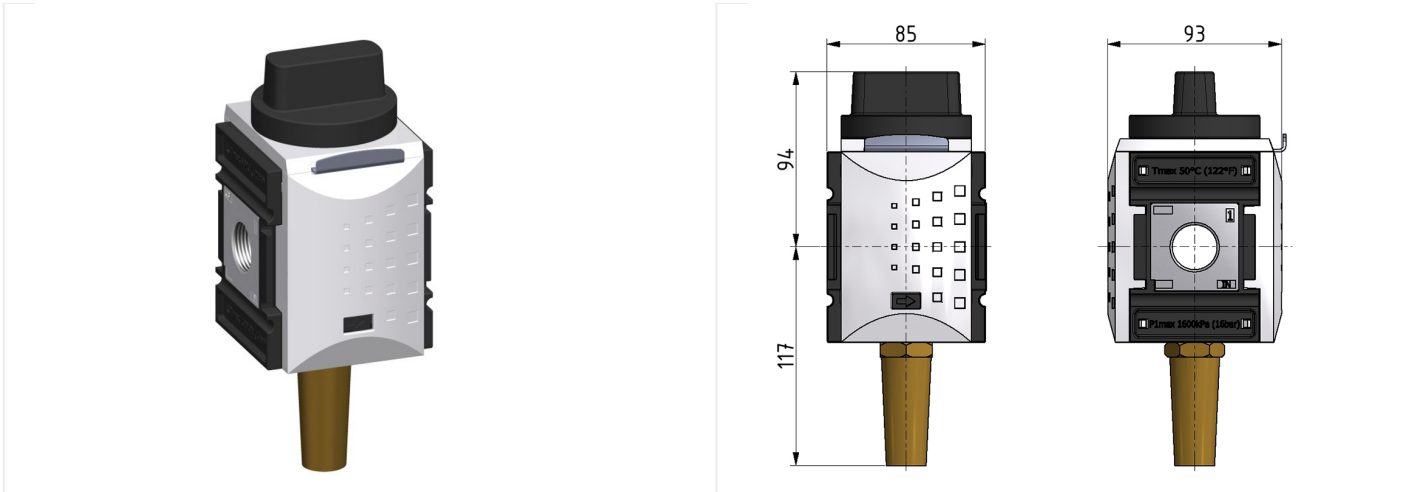


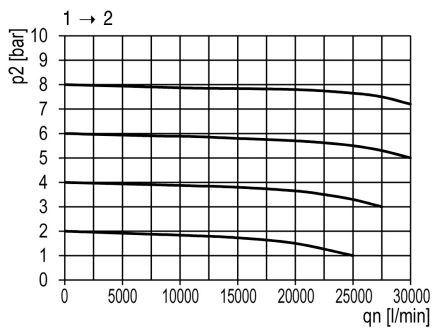
## System extensions of the Futura series

Ball valve G3/4

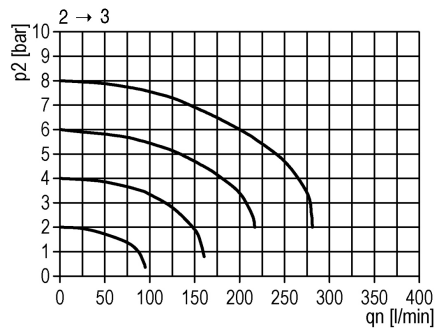


type	part-number	series	port size	flow rate	weight
KBAM-434	94004.FF00	Futura	G 3/4	30000 l/min	1.181 kg

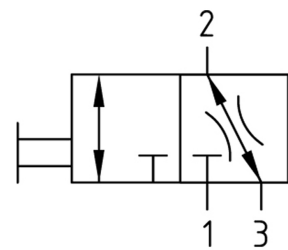
flow characteristic



rear exhaust



symbol



#### technical data

- **description:** 3/2 directional control valve, operated by a knob, 3-fold lockable with a padlock, shackle  $\varnothing$  8mm
- **medium:** compressed air, neutral gases
- **supply pressure P1 max.:** 16 bar
- **temperature range:** -10°C - +50°C
- **locking:** lockable with padlock
- **exhaust:** G 3/4
- **operating:** knob can be turned 90°

#### accessories



- mounting bracket:  
[KBW 4-1225](#)



- coupling kit wall mounting:  
[KKOP 4W](#)