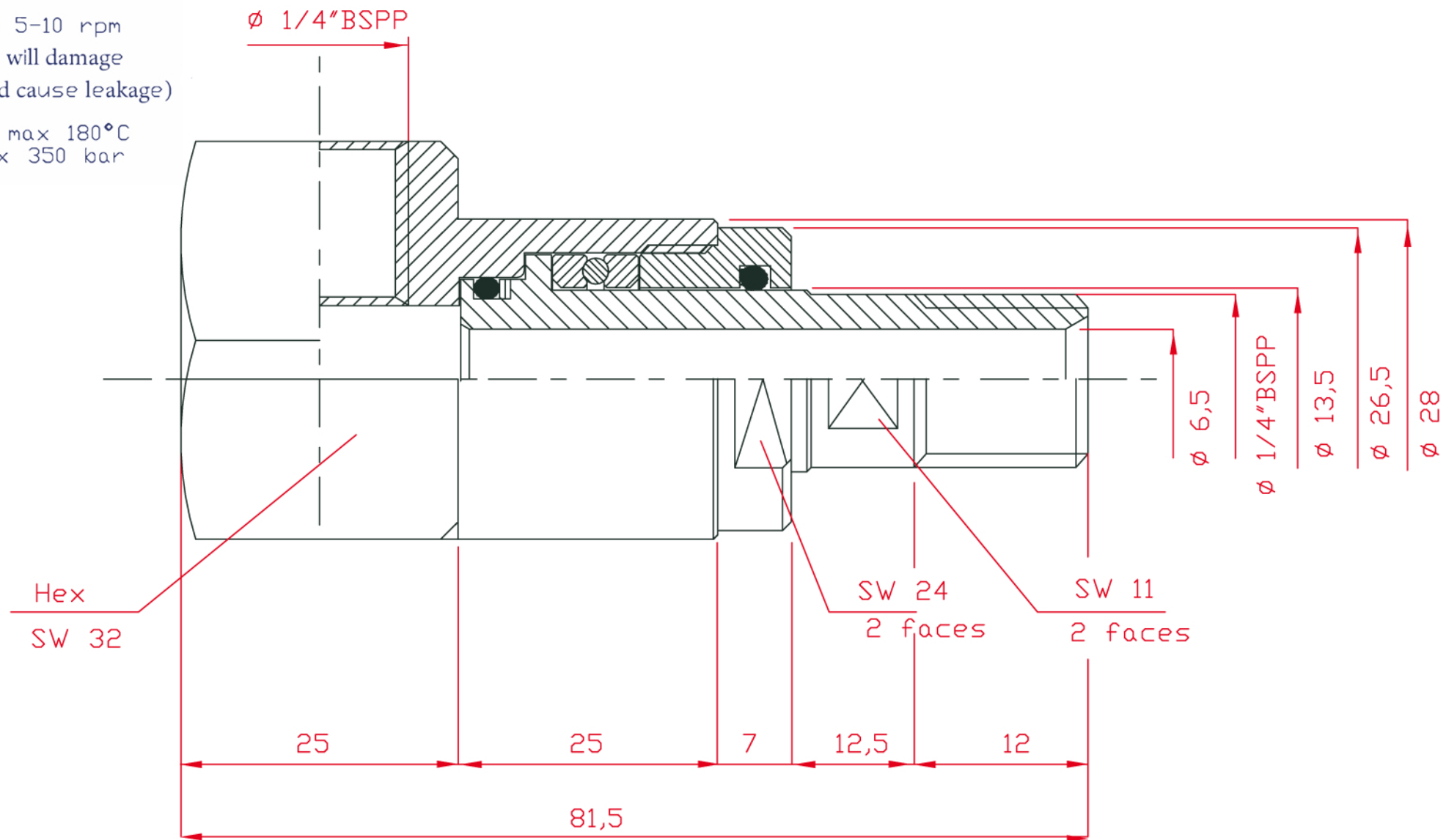


# WORKING CONDITIONS

Rotation: max 5-10 rpm  
 (higher speeds will damage  
 the O-rings and cause leakage)

Temperature: max 180°C  
 Pressure: Max 350 bar



	90° SWIVEL	502006	UPDATED 08/06/01
	1/4" SS316	N. Disegno	Data
	DENOMINAZIONE	Cliente	Note