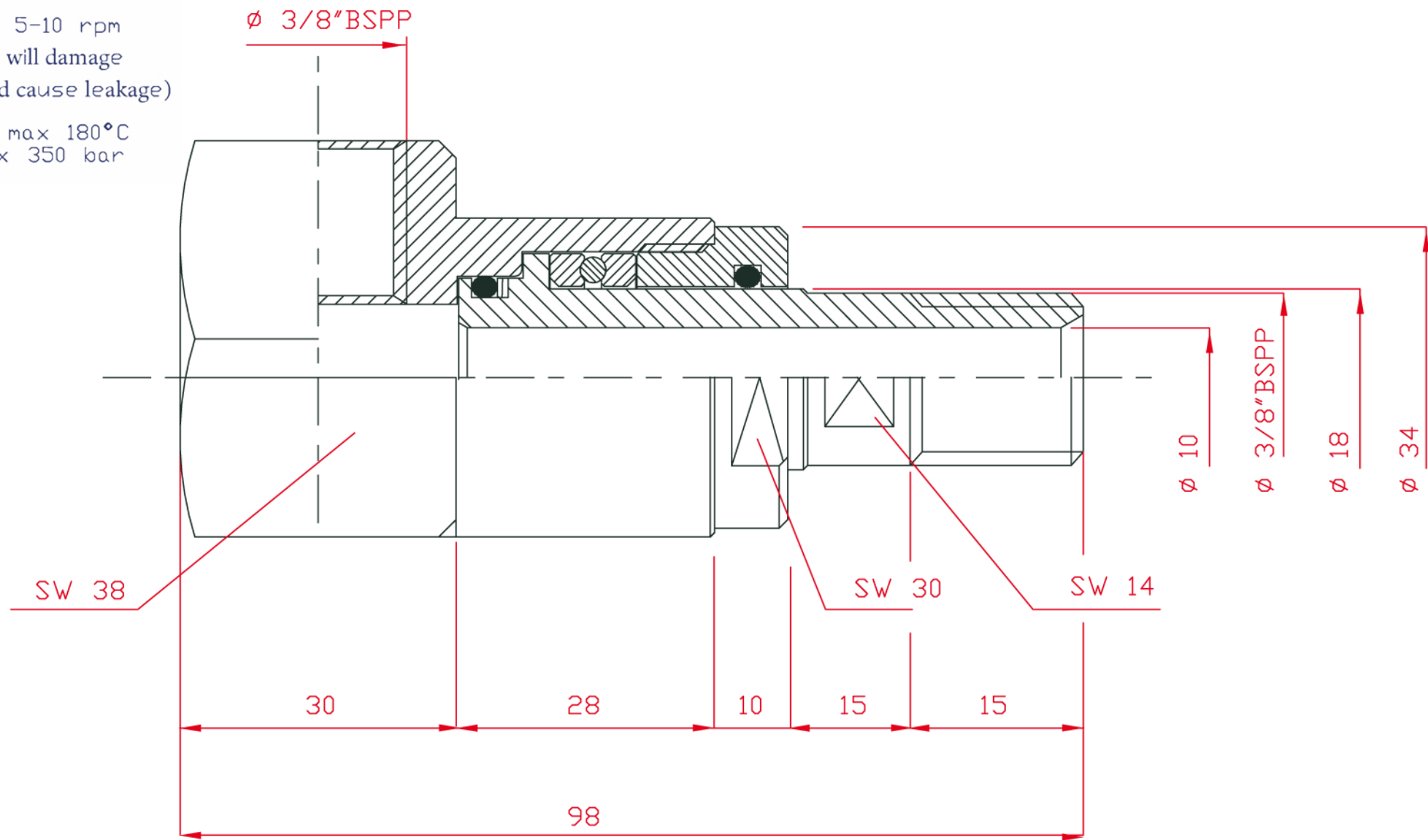



WORKING CONDITIONS

Rotation: max 5-10 rpm
 (higher speeds will damage
 the O-rings and cause leakage)

Temperature: max 180°C
 Pressure: Max 350 bar



	90° SWIVEL	502010	UPDATED 08/06/01
	3/8" SS316	N. Disegno	Data
	DENOMINAZIONE	Cliente	Note