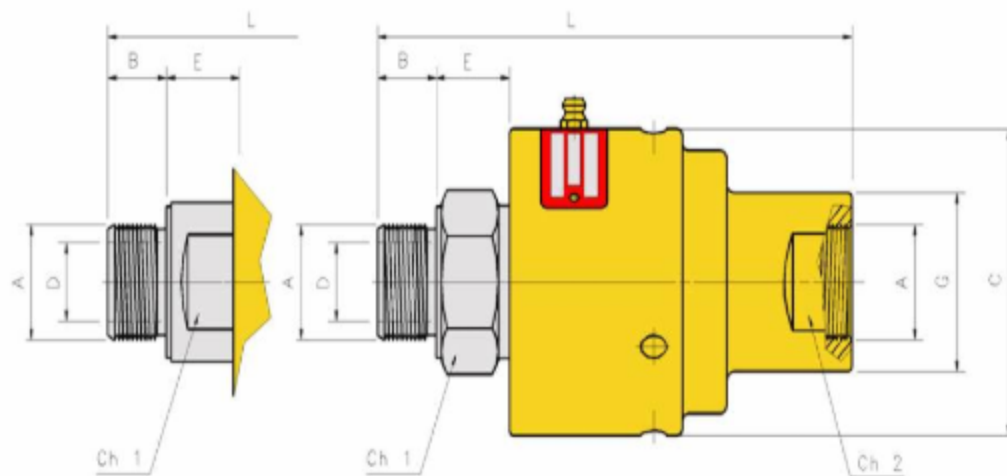


ONE WAY ROTATING JOINTS



GR 32-50

GR 10-25

Housing Brass	Housing Aluminum	A BSP	B Kg	C	D	E	G	L	Ch 1	Ch 2	PDF RH	PDF LH
GR 10 B	GR 10 B-A	3/8	12	47	9	12	30	90	24	24		
GR 15 B	GR 15 B-A	1/2	15	60	13	16	35	114	32	32		
GR 20 B	GR 20 B-A	3/4	15	70	19	20.5	40	125.5	36	36		
GR 25 B	GR 25 B-A	1"	20	84	25	20.5	47	147	41	41		
GR 32 B	GR 32 B-A	1 1/4	25	91	32	26	60	165	50	55		
GR 40 B	GR 40 B-A	1 1/2	30	108	39.5	28	75	183	55	70		
GR 50 B	GR 50 B-A	2"	35	127	48	32	80	207	65	75		