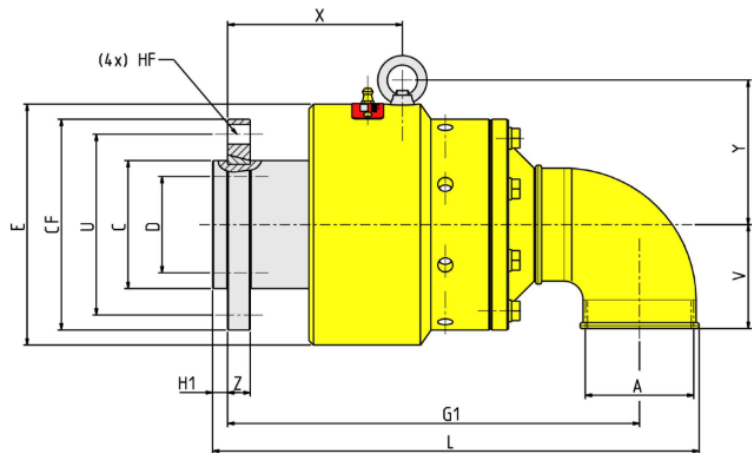


t max 170 °C p max 16 bar RPM 1000

Avoid working at maximum speed with maximum pressure



TYPE	A BSP	C f7	CF	D	E	G1	H1	HF	L	U	V	X	Y	Z	RPM	PDF
GRF65	2"1/2	85	140	64	160	273	10	13	323	120	69	116	96	15	1000	➔
GRF 80	3"	100	175	72	180	310	12	18	369	145	84	155	108	20	1000	➔
GRF 90	3"1/2	105	180	81	210	322	12	18	407	145	130	140	126	18	1000	➔
GRF 100	DN100 PN 16	120	209	95	210	326	12	18	448	180	145	162	126	22	750	➔