

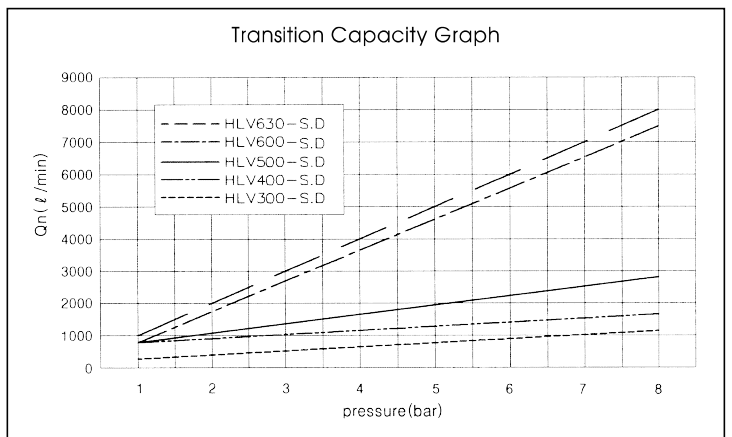
HLV Series

Hand Lever Operated
Spool Valves

- Direct Operation Type
- 5/2, 5/3, 3/2
- 1/8, 1/4, 3/8, 1/2
- High Flow Capacity

SPECIFICATION

ITEM	SERIES	HLV300	HLV400	HLV500	HLV600
FUNCTION		5/2, 5/3-Way	5/2, 5/3, 3/2-Way		5/2, 5/3-Way
Fluids	Compressed Air & Inert Gases				
Port Size		1/8	1/4	3/8	1/2
Pressure(bar)	0~8,0				
Eff. Sectional Area(mm ²)-5bar		13,5	18,0	35,0	90,0
Ambient & Fluid Temp.	5~60°C (41~140°F)				
Lubrication	Not Required(Use ISO VG32#)				



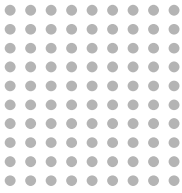
- ### The Material of Parts
- Valve Body : Die-Cast Aluminium
 - Spool : Aluminium
 - Seals : NBR
 - Spring : Stainless
 - Lever Parts : Steel, NBR, Plastic

* The specification on each item can be amended without any prenotice to improve a performance.
* The specification on each item can be different from actual specification.

ORDERING NO.

HLV3 1 0 - S

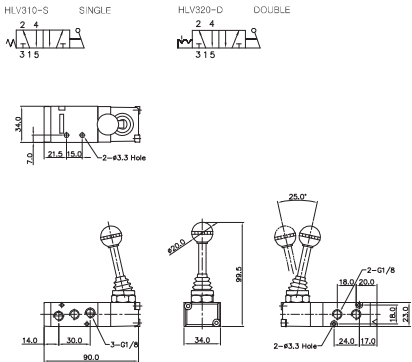
Valve Series	Function	Port Size & Thread	Return Method
HLV3 : 1/8-Port Body	1 5/2 Single	0 G	S Single Spring Return
HLV4 : 1/4-Port Body	2 5/2 Double	1 NPT	D Double Detented
HLV5 : 3/8-Port Body	3 5/3 Closed Center		
HLV6 : 1/2-Port Body	4 5/3 Open Center		
	5 5/3 Pressure Center		
	6 3/2 Normally Closed		



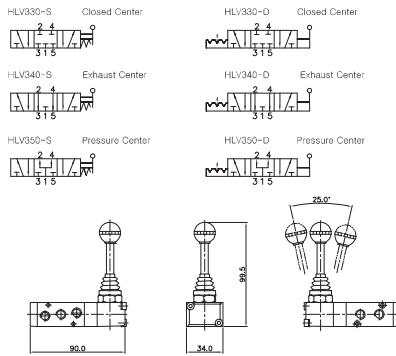
Hand Lever Operated Spool Valves

Port Thread 1/8, 1/4, 3/8, 1/2

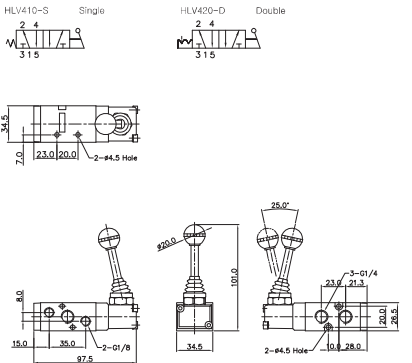
5/2-Way, Hand Lever Manually Actuated Valve Thread-G1/8



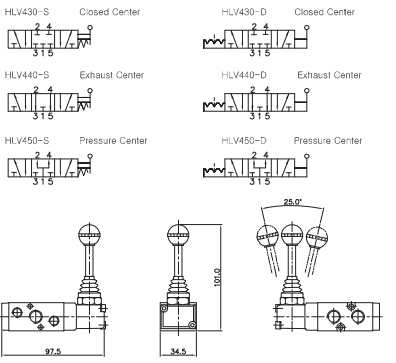
5/3-Way, Hand Lever Manually Actuated Valve Thread-G1/8



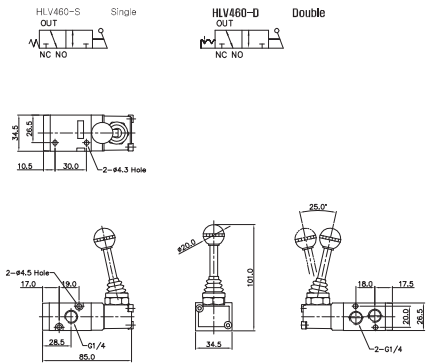
5/2-Way, Hand Lever Manually Actuated Valve Thread-G1/4



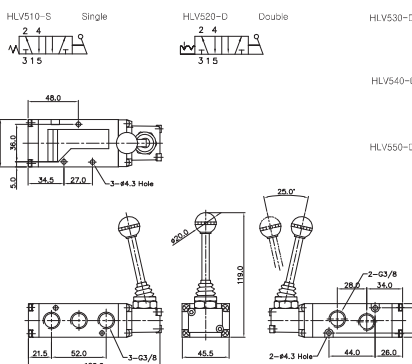
5/3-Way, Hand Lever Manually Actuated Valve Thread-G1/4



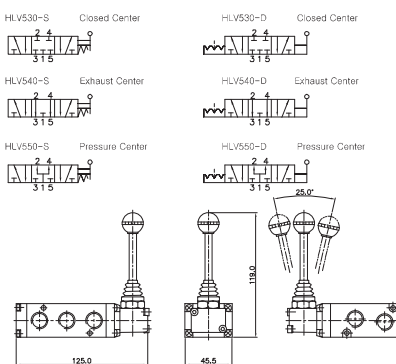
3/2-Way, Hand Lever Manually Actuated Valve Thread-G1/4



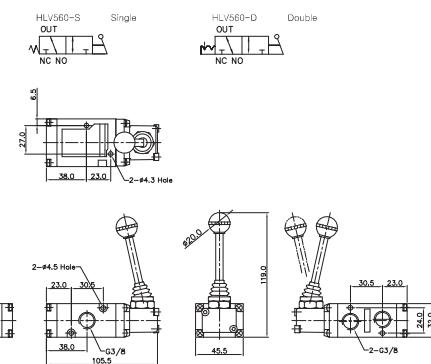
5/2-Way, Hand Lever Manually Actuated Valve Thread-G3/8



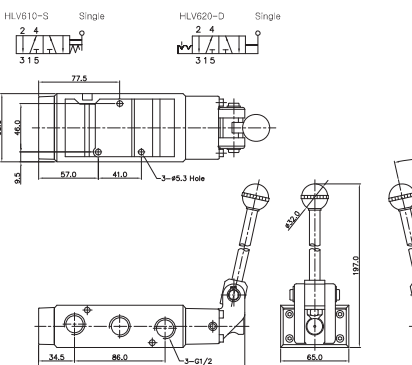
5/3-Way, Hand Lever Manually Actuated Valve Thread-G3/8



3/2-Way, Hand Lever Manually Actuated Valve Thread-G3/8



5/2-Way, Hand Lever Manually Actuated Valve Thread-G1/2



5/3-Way, Hand Lever Manually Actuated Valve Thread-G1/2

