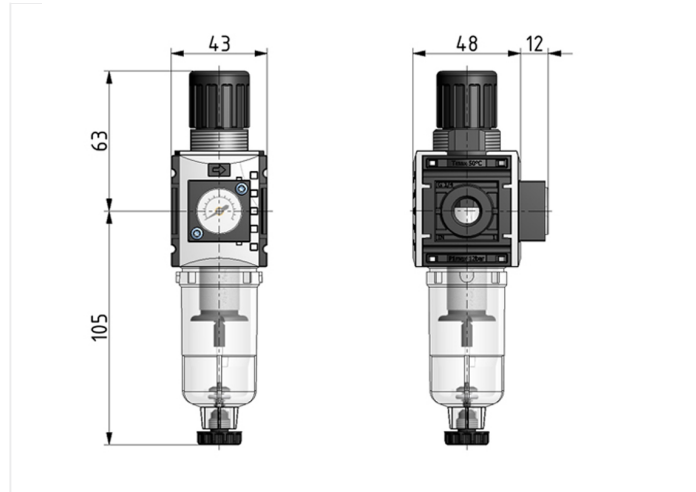
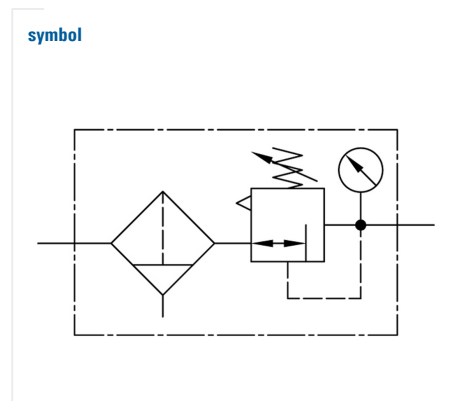
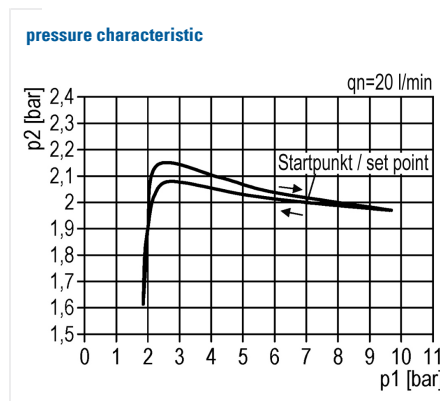
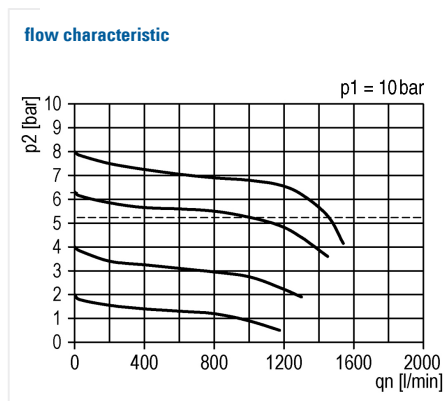


Filter regulator of the Futura series

Filter regulator G1/4 0,5-8 5µm with PC bowl, semi automatic drain and integrated gauge



type	part-number	series	port size	flow rate	adjustment range P2 max.	weight
KFRG-014/8 G	92100.CC00	Futura	G 1/4	1000 l/min	8 bar	0.223 kg



technical data

- **description:** sinter filter centrifugal principle, diaphragm-type pressure with relieving feature
- **medium:** compressed air, neutral gases
- **supply pressure P1 min.:** 1,5 bar
- **supply pressure P1 max.:** 12 bar
- **temperature range:** -10°C - +50°C
- **bowl:** PC
- **drain:** HA
- **mounting:** vertical
- **filter element:** 5 µm

accessories



- mounting bracket:
[KBW.0-1225](#)



- coupling kit wall mounting:
[KKOP.QW](#)



- control panel mounting:
[KBW.0-1227](#) + C.00-34

- adapter for pressure gauge:
KKPS.0-54